

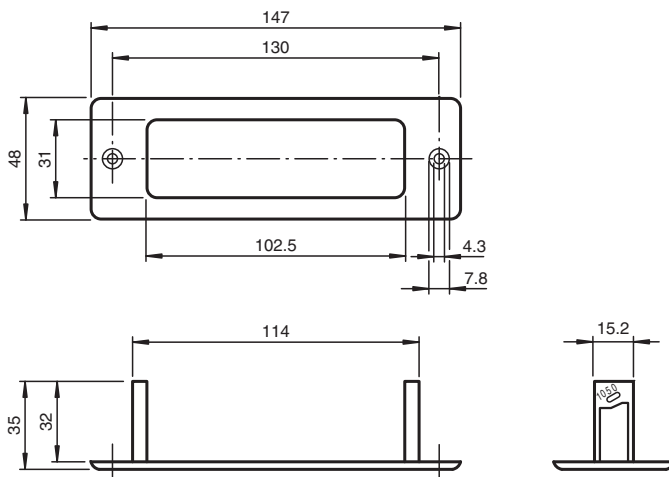
Mounting aid DGE UP-Einbaurahmen



Mounting frame for sensors in the AIR30 and PROSCAN series



Dimensions



Technical Data

Mechanical specifications

Material	plastic
Mass	approx. 15 g

Suitable series

Series	AIR30 Proscan
--------	------------------

Release date: 2020-03-21 Date of issue: 2020-10-08 Filename: 413567_eng.pdf

Refer to "General Notes Relating to Pepperl+Fuchs Product Information".

Pepperl+Fuchs Group
www.pepperl-fuchs.com

USA: +1 330 486 0001
fa-info@us.pepperl-fuchs.com

Germany: +49 621 776 1111
fa-info@de.pepperl-fuchs.com

Singapore: +65 6779 9091
fa-info@sg.pepperl-fuchs.com

PF PEPPERL+FUCHS

