

# Background suppression sensor GLV30-8-H-2407

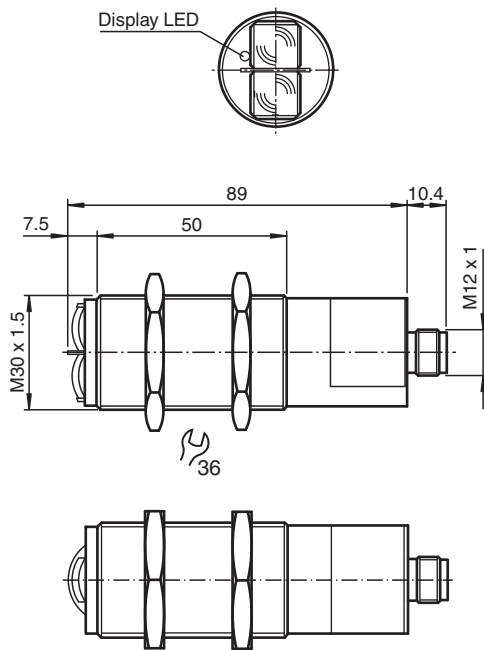


- M30 plastic housing
- Dark-On switching

Background suppression sensor



## Dimensions



## Technical Data

### General specifications

Detection range	50 ... 1000 mm
Background suppression	starts from 2000 mm
Light source	IRED
Light type	modulated infrared light
Black-white difference (6 %/90 %)	< 700 mm
Diameter of the light spot	30 mm at a distance of 1000 mm
Opening angle	± 1 °
Ambient light limit	30000 Lux

### Indicators/operating means

Function indicator	LED yellow, lights up if receiver is not lit
--------------------	--

### Electrical specifications

Release date: 2024-07-23 Date of issue: 2024-07-23 Filename: 419286\_eng.pdf

Refer to "General Notes Relating to Pepperl+Fuchs Product Information".

Pepperl+Fuchs Group  
www.pepperl-fuchs.com

USA: +1 330 486 0001  
fa-info@us.pepperl-fuchs.com

Germany: +49 621 776 1111  
fa-info@de.pepperl-fuchs.com

Singapore: +65 6779 9091  
fa-info@sg.pepperl-fuchs.com

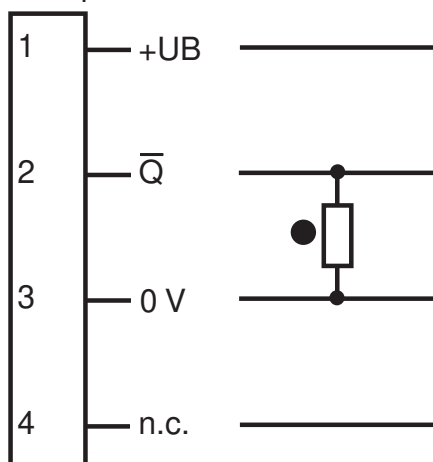
**PF** PEPPERL+FUCHS

## Technical Data

Operating voltage	$U_B$	24 V DC $\pm$ 20 %
Ripple		10 %
No-load supply current	$I_0$	30 mA
<b>Output</b>		
Switching type		dark-on
Signal output		1 PNP, short-circuit protected, reverse polarity protected, open collector
Switching voltage		max. 30 V DC
Switching current		max. 200 mA
Switching frequency	$f$	25 Hz
Response time		20 ms
<b>Conformity</b>		
Product standard		EN 60947-5-2
<b>Approvals and certificates</b>		
UL approval		cULus Listed, Class 2 Power Source, Type 1 enclosure
CCC approval		CCC approval / marking not required for products rated $\leq$ 36 V
<b>Ambient conditions</b>		
Ambient temperature		-20 ... 60 °C (-4 ... 140 °F)
Storage temperature		-20 ... 75 °C (-4 ... 167 °F)
<b>Mechanical specifications</b>		
Degree of protection		IP67
Connection		Plastic connector M12 x 1, 4-pin
<b>Material</b>		
Housing		ABS
Optical face		plastic lenses
Mass		approx. 70 g
<b>Dimensions</b>		
Length		89 mm
Diameter		30 mm

## Connection Assignment

Option:



- = Light on
- = Dark on

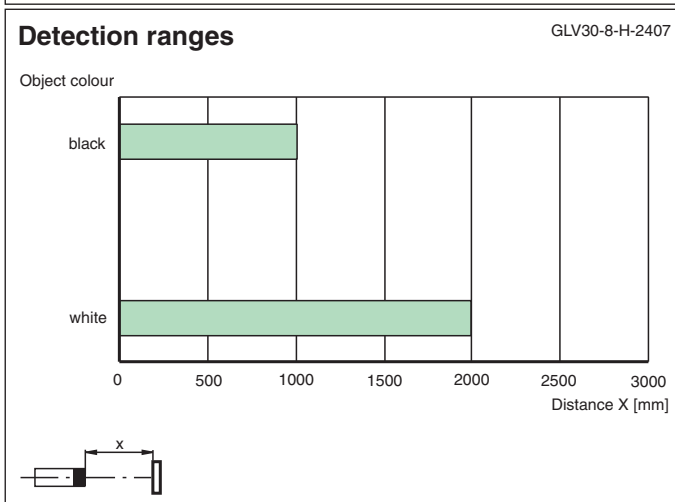
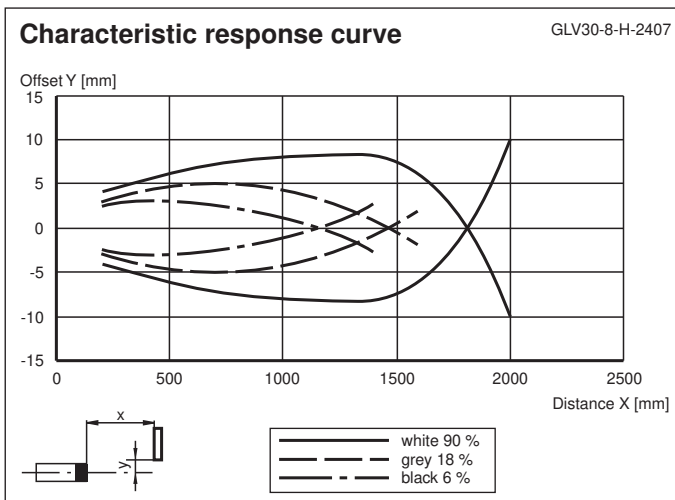
## Connection Assignment



Wire colors in accordance with EN 60947-5-2

1	BN	(brown)
2	WH	(white)
3	BU	(blue)
4	BK	(black)

## Characteristic Curve



Release date: 2024-07-23 Date of issue: 2024-07-23 Filename: 419286\_eng.pdf