

**Model Number**

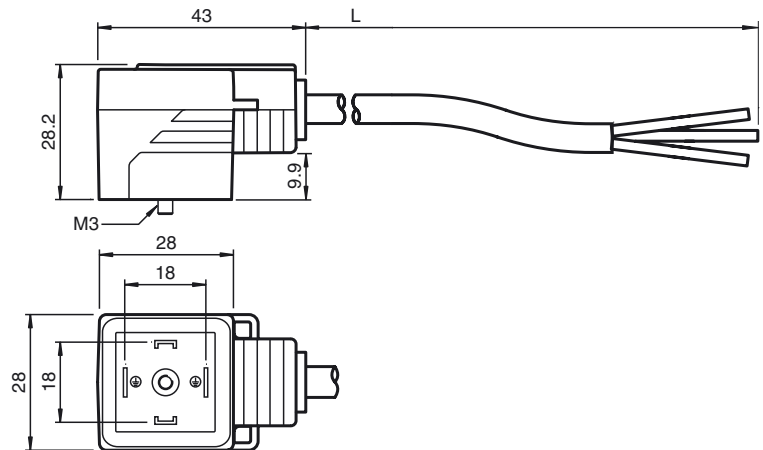
**VMA-2+P/Z2-2M-PUR**

Valve connector, Form A, 2+PE, Z diode, PUR cable

**Features**

- Valve connector according EN 175301-803 A/ISO 4400 (previously DIN 43650)
- Z diode as a protective circuit
- Built-in LED, as operating and function indicator
- freely selectable cable models due to bridged protective earth
- Flame resistant cable
- Halogen-free
- UL Recognized Component

**Dimensions**



**Technical data**

**General specifications**

Number of pins 2 + PE

**Indicators/operating means**

LED yellow Functional display

**Electrical specifications**

Operating voltage  $U_B$  24 V AC/DC

Operating current  $I_B$  max. 4 A

Volume resistance < 5 m $\Omega$

Suppression Zener diode

**Ambient conditions**

Ambient temperature Body: -20 ... 85 °C (-4 ... 185 °F)  
cable, flexing: -20 ... 80 °C (-4 ... 176 °F)  
cable, fixed: -40 ... 80 °C (-40 ... 176 °F)

Pollution degree 3

**Mechanical specifications**

Degree of protection IP65/IP67

Connection Valve connector Form A

**Material**

Contacts CuSn

Contact surface Sn

Body TPU, black

Cable PUR

Core insulation PP

**Cable**

Sheath diameter  $\varnothing$  4.5 mm

Bending radius > 50 mm  
> 22.5 mm, fixed

Color dark grey (RAL 7021)

Cores (2 + 1) x 0.5 mm<sup>2</sup>; 20 AWG

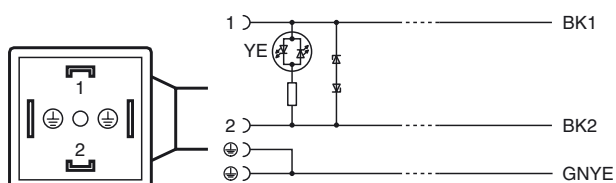
Conductor construction 28 x 0.15 mm  $\varnothing$

Length L 2 m

**Approvals and certificates**

UL approval cURus AWM 20549 (cable)

**Electrical connection**



Release date: 2015-12-11 13:25 Date of issue: 2017-07-04 456828\_eng.xml