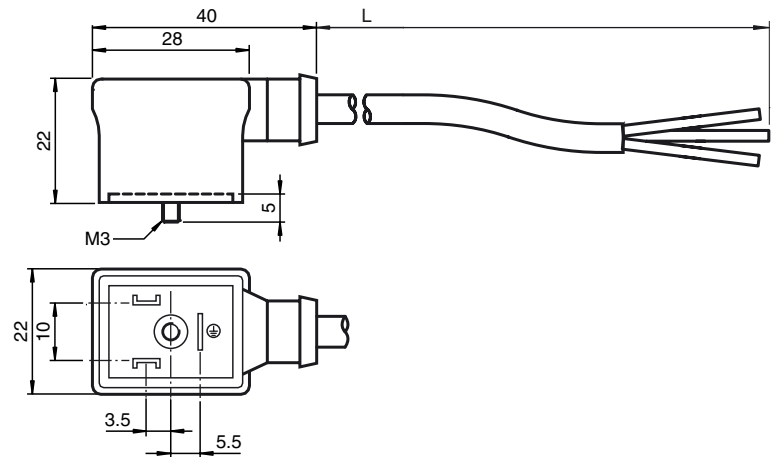




Dimensions



Model Number

VMB-2+P/Z2-10M-PUR

Valve connector, shape B, 2+PE, Z-diode, PUR cable

Features

- Valve connector according EN 175301-803 A/ISO 4400 (previously DIN 43650)
- Z diode as a protective circuit
- Built-in LED, as operating and function indicator
- Moulded seal
- Flame resistant cable
- Halogen-free

Technical data

General specifications

Number of pins 2 + PE

Indicators/operating means

LED yellow Functional display

Electrical specifications

Operating voltage U_B 24 V AC/DC

Operating current I_B max. 4 A

Volume resistance < 5 m Ω

Suppression Zener diode

Ambient conditions

Ambient temperature cable, flexing: -20 ... 80 °C (-4 ... 176 °F)

cable, fixed: -40 ... 80 °C (-40 ... 176 °F)

Pollution Degree 3

Mechanical specifications

Degree of protection IP65/IP67

Connection Valve connector Form B

Material

Contacts CuSn

Contact surface Sn

Body TPU, black

Cable PUR

Core insulation PP

Cable

Sheath diameter \varnothing 4.5 mm

Bending radius > 50 mm

> 22.5 mm, fixed

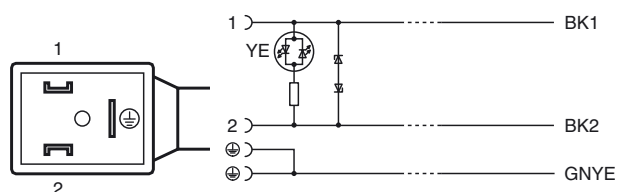
Color black

Cores (2 + 1) x 0.5 mm²; 20 AWG

Conductor construction 28 x 0.15 mm \varnothing

Length L 10 m

Electrical connection



Release date: 2015-12-11 13:28 Date of issue: 2015-12-21 456842_eng.xml