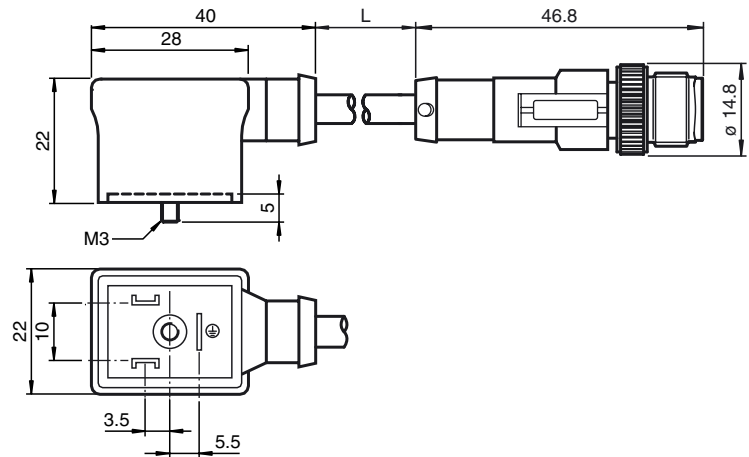




Dimensions



Model Number

VMB-2+P/Z2-1M-PUR-V1-G

Valve connector, Form B, 2+PE, Z-diode, PUR cable to M12 round plug connector

Features

- Valve connector according EN 175301-803 A/ISO 4400 (previously DIN 43650)
- Z diode as a protective circuit
- Built-in LED, as operating and function indicator
- Moulded seal
- Flame resistant cable
- Halogen-free

Technical data

General specifications

Number of pins 2 + PE

Indicators/operating means

LED yellow Functional display

Electrical specifications

Operating voltage U_B 24 V AC/DC
 Operating current I_B max. 4 A
 Volume resistance < 5 m Ω
 Suppression Zener diode

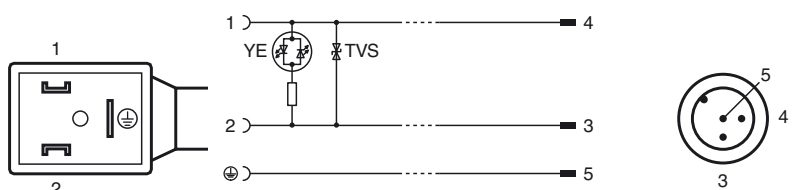
Ambient conditions

Ambient temperature Body: -20 ... 85 °C (-4 ... 185 °F)
 cable, flexing: -20 ... 80 °C (-4 ... 176 °F)
 cable, fixed: -40 ... 80 °C (-40 ... 176 °F)
 Pollution degree 3

Mechanical specifications

Degree of protection IP65/IP67
 Connection Valve connector Form B
 Cable code LiY 11Y-HF
 Material
 Contacts CuSn
 Contact surface Sn
 Body TPU, black
 Cable PUR
 Core insulation PP
 Cable
 Sheath diameter \varnothing 4.5 mm
 Bending radius > 50 mm
 > 22.5 mm, fixed
 Color black
 Cores (2 + 1) x 0.5 mm²; 20 AWG
 Conductor construction 28 x 0.15 mm \varnothing
 Length L 1 m

Electrical connection



Release date: 2017-03-17 12:41 Date of issue: 2017-03-17 456876_eng.xml