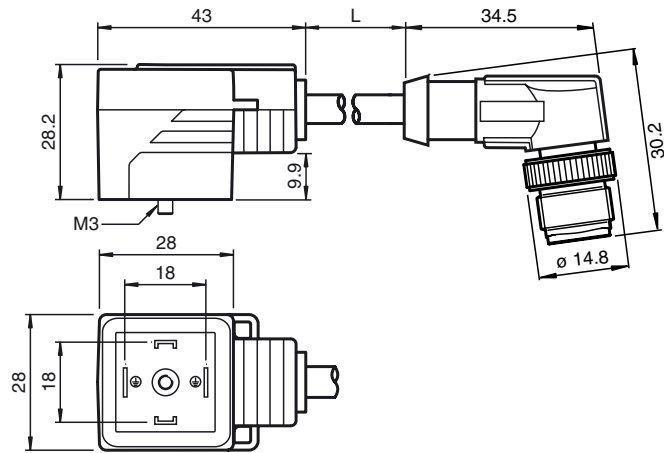




**Dimensions**



**Model Number**

**VMA-2+P-2M-PUR-V1-W**

Valve connector, Form A, 2+PE, PUR cable, M12 plug

**Features**

- Valve connector according EN 175301-803 A/ISO 4400 (previously DIN 43650)
- Moulded seal
- Suitable for drag chains
- freely selectable cable models due to bridged protective earth
- Flame resistant cable
- Halogen-free

**Technical data**

**General specifications**

Number of pins 2 + PE

**Electrical specifications**

Operating voltage  $U_B$  250 V AC/DC  
 Operating current  $I_B$  max. 4 A  
 Volume resistance < 10 m $\Omega$

**Ambient conditions**

Ambient temperature Body: -25 ... 80 °C (-13 ... 176 °F)  
 cable, flexing: -20 ... 80 °C (-4 ... 176 °F)  
 cable, fixed: -40 ... 80 °C (-40 ... 176 °F)

Pollution degree 3

**Mechanical specifications**

Degree of protection IP65/IP67  
 Connection Valve connector Form A

**Material**

Contacts CuSn  
 Contact surface Sn  
 Body Valve Connector Cordset TPU, black  
 Body TPU, black  
 Cable PUR  
 Core insulation PP

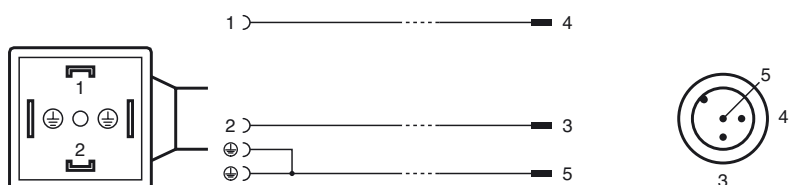
**Cable**

Sheath diameter  $\varnothing$  4.5 mm  
 Bending radius > 50 mm  
 > 22.5 mm, fixed  
 Color dark grey (RAL 7021)  
 Cores (2 + 1) x 0.5 mm<sup>2</sup>; 20 AWG  
 Conductor construction 28 x 0.15 mm  $\varnothing$   
 Length L 2 m

**Drag chain suitability**

Drag chain cycles  $\geq$  15000000  
 Motion velocity  $\leq$  5 m/s  
 Traverse distance 0.9 m  
 Acceleration  $\leq$  30 m/s<sup>2</sup>

**Electrical connection**



Release date: 2016-04-05 15:15 Date of issue: 2016-04-05 456898\_eng.xml

Refer to "General Notes Relating to Pepperl+Fuchs Product Information".