

Female connector, field-attachable

V1D-G-ABG-PG9

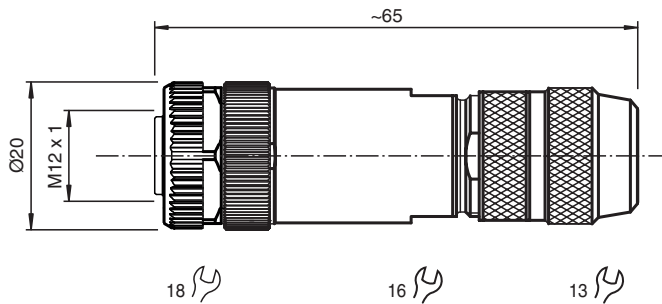


- D coding for Ethernet
- Conforms to PROFINET
- Field-attachable, shieldable
- Metal housing
- Iris spring shielding
- cURus approval

Female connector M12 straight D-coded 4-pin, for cable diameter 5 - 8 mm, shielded, field-attachable



Dimensions



Technical Data

| General specifications | | | |
|---------------------------|-------|-------------------------------------|--|
| Connector 1 | | | |
| Connection | | socket | |
| Construction type | | M12 | |
| Style | | straight | |
| Locking | | screw connection | |
| Number of pins | | 4 | |
| Coding | | D-coded | |
| UL File Number | | E363587 | |
| Electrical specifications | | | |
| Operating voltage | U_B | max. 250 V AC/DC | |
| Operating current | I_B | max. 4 A | |
| Insulation resistance | | min. 10000 M Ω | |
| Conformity | | | |
| Degree of protection | | EN 60529 | |
| Fieldbus standard | | PROFINET | |
| Plug connection | | connector M12 x 1 : IEC 61076-2-101 | |

Release date: 2023-02-20 Date of issue: 2023-02-20 Filename: 70104267_eng.pdf

Refer to "General Notes Relating to Pepperl+Fuchs Product Information".

Pepperl+Fuchs Group
www.pepperl-fuchs.com

USA: +1 330 486 0001
fa-info@us.pepperl-fuchs.com

Germany: +49 621 776 1111
fa-info@de.pepperl-fuchs.com

Singapore: +65 6779 9091
fa-info@sg.pepperl-fuchs.com

PEPPERL+FUCHS

Technical Data

| | | |
|----------------------------------|--|--|
| Component category | CAT5 (IEC 11801) | |
| Ambient conditions | | |
| Ambient temperature | -40 ... 85 °C (-40 ... 185 °F) | |
| Pollution degree | 3 | |
| Mechanical specifications | | |
| Plug connector | | |
| Tightening torque | 0.6 Nm | |
| Tool installation | straight knurling , hexagon nut SW = 18 mm | |
| Mating cycles | min. 100 | |
| Shielding | iris spring shielding | |
| Degree of protection | IP67 | |
| Connection | screw terminals for max. 0.75 mm ² / AWG 18 | |
| Cable | | |
| Sheath diameter | 5 ... 8 mm | |
| Mass | 48.61 g | |
| Material | | |
| Plug connector | | |
| Screw connection | Zinc diecast, nickel-plated | |
| Body | Zinc diecast, nickel-plated | |
| Contact surface | Au | |

Connection

