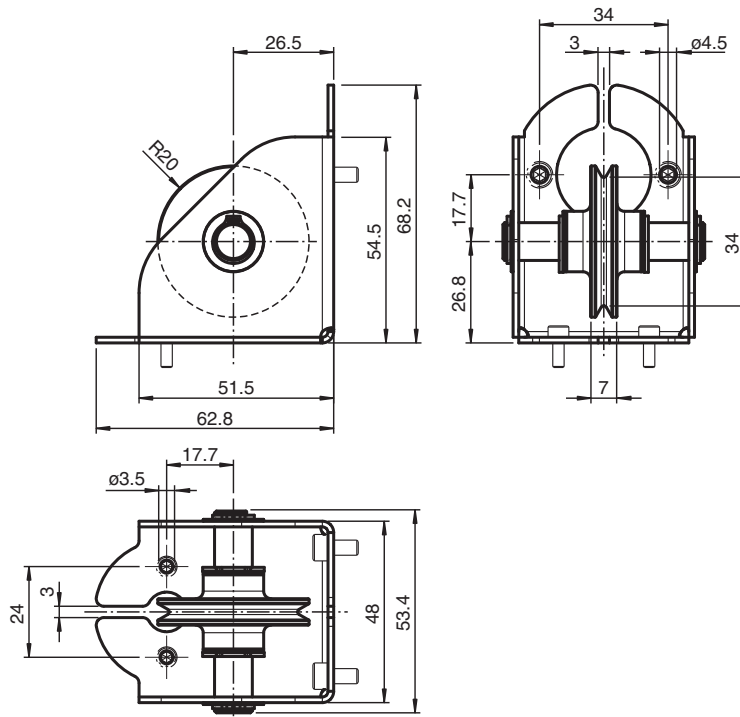


Guide pulley ACC-PUL-ECN-SEP4

- Guide pulley for all cable pull models
- For applications with rope exit $\geq 3^\circ$
- Ideal for corner and wall mounting
- Breaking ice on the measuring rope
- For bridging edges and obstacles

Separate guide pulley for cable pulls

Dimensions



Technical Data

Mechanical specifications

Material	
Guide pulley bracket	stainless steel 1.4404 / AISI 316L
Guide pulley	Hostaform C
Rotational axis	stainless steel 1.4404 / AISI 316L
Mounting materials	stainless steel
Mass	150 g

General information

Scope of delivery	2 allen head srcews M4 x 8 2 allen head srcews M4 x 8
-------------------	--

Release date: 2022-04-21 Date of issue: 2022-12-12 Filename: 70112055_eng.pdf

Refer to "General Notes Relating to Pepperl+Fuchs Product Information".

Pepperl+Fuchs Group
www.pepperl-fuchs.com




USA: +1 330 486 0001
fa-info@us.pepperl-fuchs.com

Germany: +49 621 776 1111
fa-info@de.pepperl-fuchs.com

Singapore: +65 6779 9091
fa-info@sg.pepperl-fuchs.com

PF PEPPERL+FUCHS

Accessories

	ECN10TL-*	Cable pull
	ECN20IL-*	Cable pull
	ECN21IL-*	Cable pull
	ECN30PL-*	Cable pull
	ECN40HD-*	Cable pull

Release date: 2022-04-21 Date of issue: 2022-12-12 Filename: 70112055_eng.pdf

Refer to "General Notes Relating to Pepperl+Fuchs Product Information".

Pepperl+Fuchs Group
www.pepperl-fuchs.com

USA: +1 330 486 0001
fa-info@us.pepperl-fuchs.com

Germany: +49 621 776 1111
fa-info@de.pepperl-fuchs.com

Singapore: +65 6779 9091
fa-info@sg.pepperl-fuchs.com