

Female connector, field-attachable

V15-G-PG7

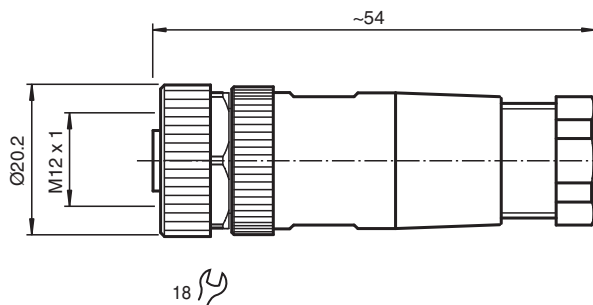


- Screw terminal connection
- Metal locking
- Knurled nut suitable for tool assembly

Female connector M12 straight A-coded 5-pin, for cable diameter 4 - 6 mm, field-attachable



Dimensions



Technical Data

General specifications			
Connector 1			
Connection		socket	
Construction type		M12	
Style		straight	
Locking		screw connection	
Number of pins		5	
Coding		A-coded	
Electrical specifications			
Operating voltage	U_B	max. 48 V AC / 60 V DC	
Operating current	I_B	max. 4 A	
Insulation resistance		min. 100 M Ω	
Conformity			
Degree of protection		EN 60529	
Plug connection		connector M12 x 1 : IEC 61076-2-101	
Ambient conditions			
Ambient temperature		-40 ... 85 °C (-40 ... 185 °F)	

Release date: 2023-02-20 Date of issue: 2023-02-20 Filename: 70112081_eng.pdf

Refer to "General Notes Relating to Pepperl+Fuchs Product Information".

Pepperl+Fuchs Group
www.pepperl-fuchs.com

USA: +1 330 486 0001
fa-info@us.pepperl-fuchs.com

Germany: +49 621 776 1111
fa-info@de.pepperl-fuchs.com

Singapore: +65 6779 9091
fa-info@sg.pepperl-fuchs.com

Technical Data

Pollution degree	3
Mechanical specifications	
Plug connector	
Tightening torque	0.6 Nm
Tool installation	straight knurling , hexagon nut SW = 18 mm
Mating cycles	min. 50
Degree of protection	IP67
Connection	screw terminals for max. 0.75 mm ² / AWG 18
Cable	
Sheath diameter	4 ... 6 mm
Mass	24.1 g
Material	
Plug connector	
Screw connection	Zinc diecast, nickel-plated
Body	PA, black
Contact surface	CuSnZn

Connection Assignment

