

Female connector, field-attachable

V15-W-PG7

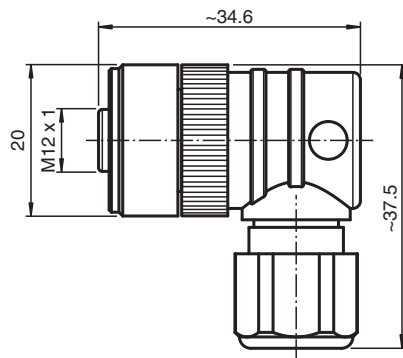


- Screw terminal connection
- Metal locking

Female connector M12 angled A-coded 5-pin, field-attachable



Dimensions



Technical Data

General specifications

Connector 1		
Connection		socket
Construction type		M12
Style		angled
Locking		screw connection
Number of pins		5
Coding		A-coded

Electrical specifications

Operating voltage	U_B	max. 48 V AC / 60 V DC
Operating current	I_B	max. 4 A
Volume resistance		< 10 mΩ

Conformity

Degree of protection		EN 60529
Plug connection		connector M12 x 1 : IEC 61076-2-101

Ambient conditions

Ambient temperature		-28 ... 90 °C (-18.4 ... 194 °F) , note derating
---------------------	--	--

Release date: 2023-02-20 Date of issue: 2023-02-20 Filename: 70112082_eng.pdf

Refer to "General Notes Relating to Pepperl+Fuchs Product Information".

Pepperl+Fuchs Group
www.pepperl-fuchs.com

USA: +1 330 486 0001
fa-info@us.pepperl-fuchs.com

Germany: +49 621 776 1111
fa-info@de.pepperl-fuchs.com

Singapore: +65 6779 9091
fa-info@sg.pepperl-fuchs.com

PEPPERL+FUCHS

Technical Data

Pollution degree	3
Mechanical specifications	
Plug connector	
Tightening torque	1.5 ... 1.6 Nm
Tool installation	straight knurling
Mating cycles	min. 50
Degree of protection	IP65
Connection	screw terminals for max. 0.75 mm ² / AWG 18
Cable	
Sheath diameter	4 ... 6 mm
Material	
Plug connector	
Screw connection	Zinc diecast, nickel-plated
Body	PBT, black
Seal	NBR , FKM
Contact surface	CuSnZn

Connection Assignment

