

Ethernet switch unmanaged

ICRL-U-5RJ45-DIN-NT



- Five - 10/100BASE-TX ports
- Rugged housing for use in harsh environments
- Alarm relay output for port event notifications
- Input power range of 18 to 32VDC
- Suitable for PROFINET IO and EtherNet/IP

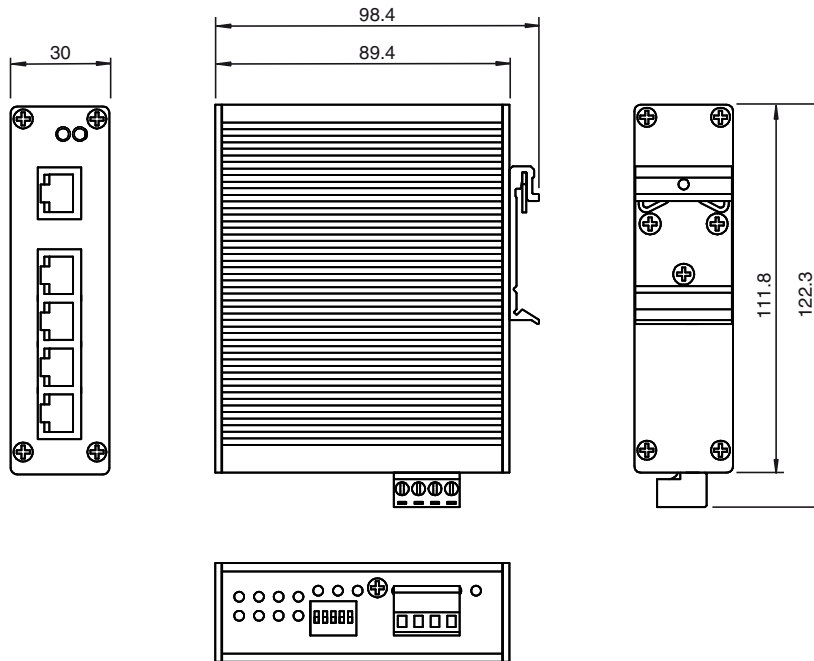
Ethernet unmanaged switch with 5 RJ45 ports and port alarm



Function

The ICRL-U-5RJ45-DIN-NT industrial Ethernet switch is used to build high performance Ethernet networks. The switch is designed for applications that require normal operating temperature range, rugged housings, high-performance communications, and reliable data transfer. This unmanaged switch provides a cost-effective solution for low-level field device connections without the need for complex configuration.

Dimensions



Technical Data

General specifications

UL File Number E185778

Functional safety related parameters

MTBF 93.4

Ethernet Interface

Release date: 2022-03-23 Date of issue: 2022-03-23 Filename: 70114052_eng.pdf

Refer to "General Notes Relating to Pepperl+Fuchs Product Information".

Pepperl+Fuchs Group
www.pepperl-fuchs.com

USA: +1 330 486 0001
fa-info@us.pepperl-fuchs.com

Germany: +49 621 776 1111
fa-info@de.pepperl-fuchs.com

Singapore: +65 6779 9091
fa-info@sg.pepperl-fuchs.com

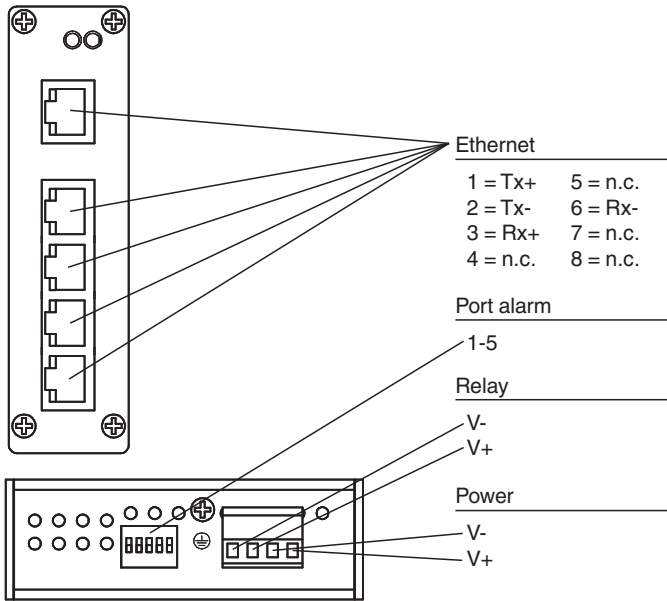
pf PEPPERL+FUCHS

Technical Data

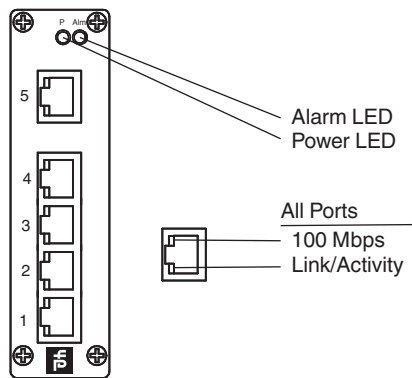
| | | |
|--|----------------|---|
| Auto-MDI(-X) | | yes |
| Autonegotiation | | yes |
| Ethernet Interface | | Industrial Ethernet |
| Transfer rate | | 10BASE-T, 100BASE-TX |
| Cable type | | Category 5e or better |
| Standards | | |
| IEEE 802.3 10BASE-T | | yes |
| IEEE 802.3u 100BASE-TX | | yes |
| IEEE 802.3x Flow Control and Back-pressure | | yes |
| Indicators/operating means | | |
| LED indication | | see manual |
| Electrical specifications | | |
| Rated operating voltage | U _e | 18 ... 32 V DC |
| Power consumption | | 3 W |
| General information | | Port Failure, DIP switch enabled, Relay Rating, 1A Max. @ 24VDC |
| Nominal voltage | | 24 V DC |
| Current consumption | | typ. 20 mA |
| Interface 1 | | |
| Physical | | RJ45 |
| Transfer rate | | 10/100 Mbps |
| Inputs/Outputs | | |
| Number/Type | | 5 x RJ45 |
| Directive conformity | | |
| Electromagnetic compatibility | | |
| Directive 2014/30/EU | | EN61000-6-2, EN55024 |
| Standard conformity | | |
| Electrical safety | | CSA C22.2 No. 60950 / CSA C22.2 No. 60950/UL60950 |
| Emitted interference | | EN 55032, FCC Part 15 Subpart B, ICES-003, AS/NZS CISPR 32 |
| Noise immunity | | EN 55024 |
| Ambient conditions | | |
| Ambient temperature | | -25 ... 70 °C (-13 ... 158 °F) |
| Storage temperature | | -40 ... 85 °C (-40 ... 185 °F) |
| Relative humidity | | max. 95 % |
| Altitude | | 0 ... 3048 m |
| Mechanical specifications | | |
| Degree of protection | | IP30 |
| Connection | | Power Supply Terminal Block Ethernet 5 x RJ45 |
| Material | | |
| Housing | | Aluminum |
| Mass | | 295 g |
| Construction type | | Cabinet module |
| Mounting | | DIN rail or direct panel mounting |

Release date: 2022-03-23 Date of issue: 2022-03-23 Filename: 70114052_eng.pdf

Connection



Indication



Accessories

| | | |
|--|-------------------------------------|--|
| | V45-G-C5-GN1M-PUR-E1S | Ethernet bus cable male cordset single-ended RJ45, 4-pin, PUR cable green, Cat5e, shielded, UL approved, drag chain suitable |
| | V45-G-C5-GN3M-PUR-E1S | Ethernet bus cable male cordset single-ended RJ45, 4-pin, PUR cable green, Cat5e, shielded, UL approved, drag chain suitable |
| | V45-G-C5-GN10M-PUR-E1S | Ethernet bus cable male cordset single-ended RJ45, 4-pin, PUR cable green, Cat5e, shielded, UL approved, drag chain suitable |
| | V45-G-C5-GN1M-PUR-E1S-V45-G | Ethernet bus cable RJ45 to RJ45 PROFINET-coded, 4-pin, PUR cable green, Cat5e, shielded, UL approved, drag chain suitable |
| | V45-G-C5-GN3M-PUR-E1S-V45-G | Ethernet bus cable RJ45 to RJ45 PROFINET-coded, 4-pin, PUR cable green, Cat5e, shielded, UL approved, drag chain suitable |
| | V45-G-C5-GN10M-PUR-E1S-V45-G | Ethernet bus cable RJ45 to RJ45 PROFINET-coded, 4-pin, PUR cable green, Cat5e, shielded, UL approved, drag chain suitable |

Release date: 2022-03-23 Date of issue: 2022-03-23 Filename: 70114052_eng.pdf

Refer to "General Notes Relating to Pepperl+Fuchs Product Information".

Pepperl+Fuchs Group
www.pepperl-fuchs.com




USA: +1 330 486 0001
fa-info@us.pepperl-fuchs.com

Germany: +49 621 776 1111
fa-info@de.pepperl-fuchs.com

Singapore: +65 6779 9091
fa-info@sg.pepperl-fuchs.com

PEPPERL+FUCHS

Accessories

| | | |
|---|--|--|
|  | <p>V45-G-C5-GN20M-PUR-E1S-V45-G</p> | <p>Ethernet bus cable RJ45 to RJ45 PROFINET-coded, 4-pin, PUR cable green, Cat5e, shielded, UL approved, drag chain suitable</p> |
|  | <p>OMT550-R200-2EP-IO-V1</p> | <p>Distance sensor</p> |
|  | <p>ICRL-U-5RJ45-DIN-NT</p> | <p>Ethernet unmanaged switch with 5 RJ45 ports and port alarm</p> |

Release date: 2022-03-23 Date of issue: 2022-03-23 Filename: 70114052_eng.pdf

Refer to "General Notes Relating to Pepperl+Fuchs Product Information".

Pepperl+Fuchs Group
www.pepperl-fuchs.com

USA: +1 330 486 0001
fa-info@us.pepperl-fuchs.com

Germany: +49 621 776 1111
fa-info@de.pepperl-fuchs.com

Singapore: +65 6779 9091
fa-info@sg.pepperl-fuchs.com