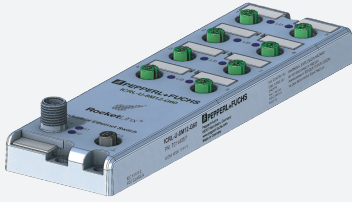


# Ethernet switch unmanaged

## ICRL-U-8M12-G60



- IP65/67 rugged housing for use in harsh environments
- Eight M12 10/100BASE-TX ports
- Redundant power supply
- C1D2 certification
- Suitable for PROFINET IO and EtherNet/IP
- Extended operating temperature range (-40 to +70 °C)

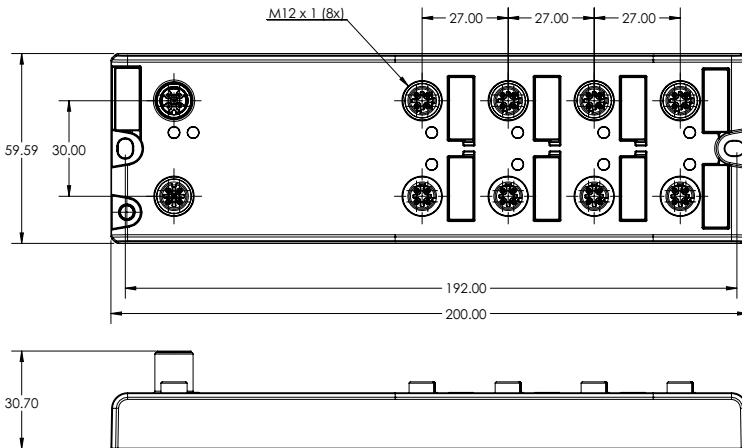
Ethernet unmanaged IP67 switch with 8 M12 ports and extended temperature range



### Function

The RocketLinx ICRL-U-8M12-G60 is an 8-port unmanaged field-mountable Ethernet switch designed for use in industrial applications. With eight 10/100 Mbps Ethernet ports and redundant power inputs all utilizing M12 connections, it achieves an IP65/67 protection rating. Its passively cooled design ensures long-term reliability while supporting a wide operating temperature range from -40 to +70°C making it appropriate for use in extreme conditions. Further flexibility is provided by its wide input voltage range of 9.6 to 45 VDC.

### Dimensions



### Technical Data

Functional safety related parameters	
MTBF	6779960 hours (25 °C), 2716143 hours (60°C)
Ethernet Interface	
Connection type	M12, D-coded
Auto-MDI(-X)	yes
Autonegotiation	yes
Transfer rate	10BASE-T, 100BASE-TX 10/100 Mbps
Cable type	Category 5e or better
Standards	
IEEE 802.3 10BASE-T	yes
IEEE 802.3u 100BASE-TX	yes
IEEE 802.3x Flow Control and Back-pressure	yes
IEEE 802.1p Class of Service (CoS)	yes

Release date: 2024-04-22 Date of issue: 2024-04-22 Filename: 70114057\_eng.pdf

Refer to "General Notes Relating to Pepperl+Fuchs Product Information".

Pepperl+Fuchs Group  
www.pepperl-fuchs.com

USA: +1 330 486 0001  
fa-info@us.pepperl-fuchs.com

Germany: +49 621 776 1111  
fa-info@de.pepperl-fuchs.com

Singapore: +65 6779 9091  
fa-info@sg.pepperl-fuchs.com

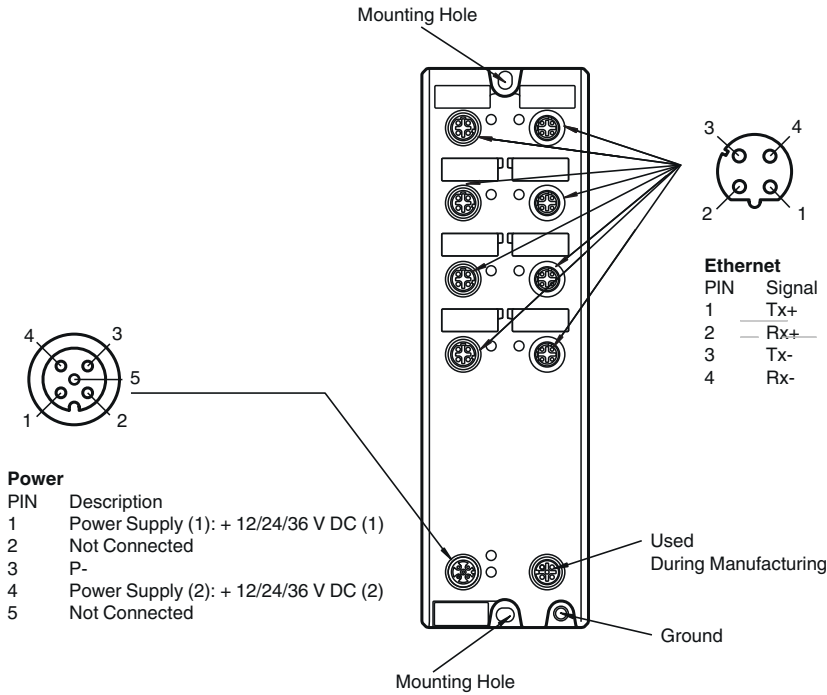
**PEPPERL+FUCHS**

## Technical Data

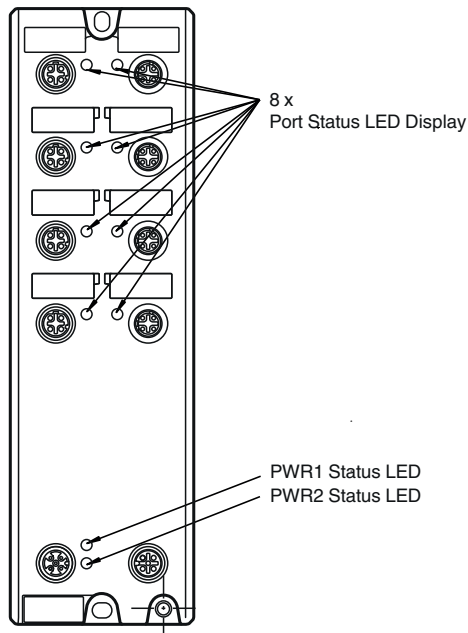
<b>Indicators/operating means</b>		
LED indication		see manual
<b>Electrical specifications</b>		
Rated operating voltage	U <sub>e</sub>	9.6 ... 45 V DC
Power consumption		4.2 W
General information		A-Coded M12 power
Nominal voltage		12 V , 24 V , 36 V
<b>Inputs/Outputs</b>		
Number/Type		8 x M12 (Fast Ethernet)
<b>Directive conformity</b>		
Electromagnetic compatibility		
Directive 2014/30/EU		EN 55032:2015 , EN 61000-6-2:2005 , EN 61131-2:2007 , EN 50121-4:2016 , EN 55032:2015+A11:2020
RoHS		
Directive 2011/65/EU (RoHS)		EN IEC 63000:2018
<b>Standard conformity</b>		
Electrical safety		IEC 61010
Emitted interference		EN 55032, FCC Part 15 Subpart B, ICES-003, AS/NZS CISPR 32
Shock resistance		IEC 60068-2-27
Permanent shock resistance		IEC 60068-2-64
Vibration resistance		IEC 60068-2-6
Standards		EN 50155
<b>Approvals and certificates</b>		
UL approval		E223772 , E492874
E1 Type approval		E1*118R03/02*0254*02
<b>Ambient conditions</b>		
Ambient temperature		-40 ... 70 °C (-40 ... 158 °F)
Storage temperature		-40 ... 85 °C (-40 ... 185 °F)
Relative humidity		max. 100 %
<b>Mechanical specifications</b>		
Degree of protection		IP65 , IP67
Connection		Power Supply M12 A-coded Ethernet 8 x M12 D-coded
Material		
Housing		Aluminum
Mass		470 g
Dimensions		
Height		200 mm
Width		60 mm
Length		31 mm
Construction type		Field housing
Mounting		Field mounted

Release date: 2024-04-22 Date of issue: 2024-04-22 Filename: 70114057\_eng.pdf

Connection



Indication



Release date: 2024-04-22 Date of issue: 2024-04-22 Filename: 70114057\_eng.pdf