



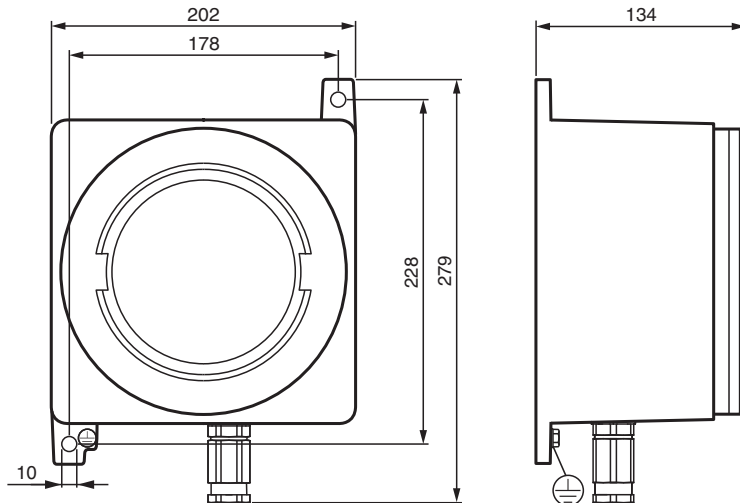
Optical reading head PXV100-F200-R4-V19-Ex

- Explosion protection for use in Zone 1, Zone 2, Zone 21 and Zone 22
- RS-485 interface
- Non-contact positioning on Data Matrix code tape
- Mechanically rugged: no wearing parts, long operating life, maintenance-free
- High resolution and precise positioning, especially for facilities with curves and switch points as well as inclines and declines.
- Travel ranges up to 10 km

Optical reading head for hazardous area



Dimensions



Technical Data

General specifications

Passage speed	v	≤ 8 m/s
Measuring range		max. 10000 m
Light type		Integrated LED lightning (red)
Scan rate		40 s ⁻¹
Read distance		90mm (from outer housing window)
Depth of focus		± 50 mm
Reading field		115 mm x 73 mm
Ambient light limit		100000 Lux
Accuracy		± 0.2 mm

Nominal ratings

Camera		
Type		CMOS , Global shutter
Processor		
Clock pulse frequency		600 MHz
Speed of computation		4800 MIPS
Digital resolution		32 Bit

Release date: 2024-02-07 Date of issue: 2024-02-07 Filename: 70114073_eng.pdf

Refer to "General Notes Relating to Pepperl+Fuchs Product Information".

Pepperl+Fuchs Group
www.pepperl-fuchs.com

USA: +1 330 486 0001
fa-info@us.pepperl-fuchs.com

Germany: +49 621 776 1111
fa-info@de.pepperl-fuchs.com

Singapore: +65 6779 9091
fa-info@sg.pepperl-fuchs.com

PF PEPPERL+FUCHS

Technical Data

Functional safety related parameters		
MTTF _d		100 a
Mission Time (T _M)		20 a
Diagnostic Coverage (DC)		0 %
Indicators/operating means		
LED indication		7 LEDs (communication, alignment aid, status information)
Electrical specifications		
Operating voltage	U _B	15 ... 30 V DC , PELV
No-load supply current	I ₀	max. 200 mA
Power consumption	P ₀	3 W
Interface		
Interface type		RS 485 interface
Data output code		binary code
Transfer rate		38400 ... 230400 Bit/s
Termination		Switchable terminal resistor
Query cycle time		≥ 10 ms
Interface 2		
Interface type		USB Service
Input		
Input type		1 to 3 functional inputs , programmable
Input impedance		≥ 27 kΩ
Output		
Output type		1 to 3 switch outputs , PNP , programmable , short-circuit protected
Switching voltage		Operating voltage
Switching current		150 mA each output
Standard conformity		
Emitted interference		EN 61000-6-4:2007+A1:2011
Noise immunity		EN 61000-6-2:2005
Approvals and certificates		
IECEX approval		IECEX INE 14.0042X
ATEX approval		INERIS 14 ATEX 0035X Device type: GUBW1.D.OS-PXV100-F200-R4-V19
Marking		Ⓜ II 2 GD Ex db IIC T6 Gb Ex tb IIIC T85°C Db
Ambient conditions		
Ambient temperature		0 ... 55 °C (32 ... 131 °F)
Mechanical specifications		
Connection type		Connection terminals, max. conductor cross-section 2.5 mm ²
Conductor cross section		0.13 ... 2.5 mm ²
Cable gland		3 ... 8.5 mm
Enclosure cover		threaded round cover
Cover fixing		flamepath thread
Cover seal		none, O-ring for IP66/67
Degree of protection		IP66 (IP66/67 with O-ring)
Material		
Enclosure		aluminum alloy
Glass		thermo-resistant tempered glass
Finish		epoxy coated RAL 7005 (grey)
O-Ring		silicone
Mass		approx. 7 kg
Dimensions		
Height		279 mm
Width		202 mm

Release date: 2024-02-07 Date of issue: 2024-02-07 Filename: 70114073_eng.pdf

Refer to "General Notes Relating to Pepperl+Fuchs Product Information".

Pepperl+Fuchs Group
www.pepperl-fuchs.comUSA: +1 330 486 0001
fa-info@us.pepperl-fuchs.comGermany: +49 621 776 1111
fa-info@de.pepperl-fuchs.comSingapore: +65 6779 9091
fa-info@sg.pepperl-fuchs.com

PEPPERL+FUCHS

Technical Data

Depth	134 mm
Grounding	M6 external grounding points

Connection Assignment

