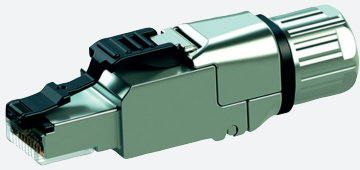


Male connector, field-attachable

V45-G-ABG

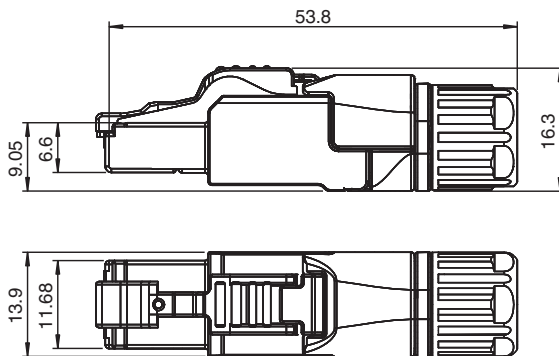


- Suitable for Gigabit Ethernet
- Field-attachable
- Sturdy metallic housing
- All-round shielding (360°) for full EMC protection
- Insulation displacement connection
- Immunity to vibration, with mechanical latching

Male connector RJ45 straight 8-pin, Cat6A, shielded, field-attachable, insulation displacement connection



Dimensions



Technical Data

General specifications			
Connector 1			
Connection		plug	
Construction type		RJ45	
Style		straight	
Locking		snap locking	
Number of pins		8	
Electrical specifications			
Operating voltage	U_B	max. 50 V AC / 60 V DC	
Operating current	I_B	max. 1 A	
Contact resistance		max. 20 mΩ	
Insulation resistance		min. 500 MΩ	
Conformity			
Degree of protection		EN 60529	
Fieldbus standard		IEEE 802.3an 10GBASE-T	
Transmission technology		suitable for PoE+ Power over Ethernet IEEE 802.3at	
Plug connection		connector RJ45 : IEC 60603-7-51	

Release date: 2023-05-31 Date of issue: 2023-05-31 Filename: 70118036_eng.pdf

Refer to "General Notes Relating to Pepperl+Fuchs Product Information".

Technical Data

Component category	CAT6A (IEC 11801, EN 50173)	
Ambient conditions		
Ambient temperature	-40 ... 85 °C (-40 ... 185 °F)	
Mechanical specifications		
Plug connector		
Loosening protection		available
Mating cycles		min. 750
Shielding		via Body
Degree of protection		IP20
Connection		Wire manager included with delivery
Cable		
Sheath diameter		5.5 ... 10 mm
Core cross section		solid: 0.51 ... 0.64 mm ² (24 ... 22/1 AWG) stranded: 0.46 ... 0.76 mm ² (27 ... 22/7 AWG)
Material		
Plug connector		
Body		Zinc diecast, nickel-plated
Contact surface		Au / Ni

Connection Assignment

