



Ethernet switch unmanaged PoE voltage-boost switch

ICRL-U-6RJ45-PoE-B-DIN

- Industrial PoE IEEE 802.3af compliant unmanaged switch
- Four 10/100BASE-TX PoE ports and two Gigabit uplink ports
- Total output power budget of 60W (15.4W maximum on each port)
- Voltage boost technology that supports 12 - 24V DC power input sources for transportation, security and industrial applications
- QoS support for optimizing video and VoIP stream
- Alarm relay for failure and event notification
- Wide operating temperature range (-25 to +60 °C)
- Suitable for PROFINET IO and EtherNet/IP

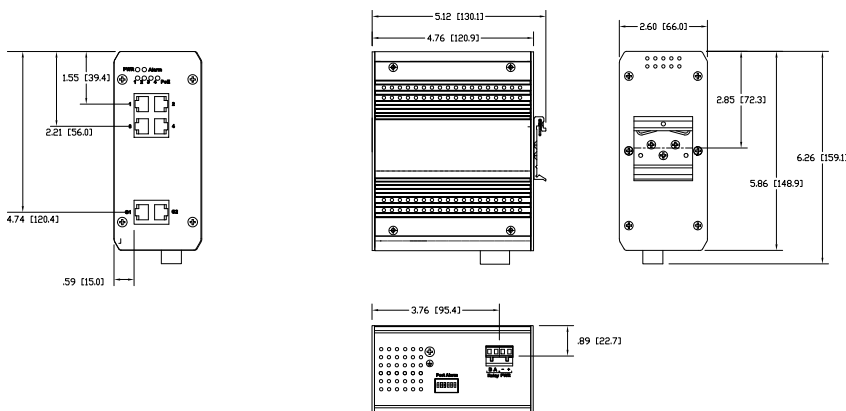
RocketLinX ICRL-U-6RJ45-PoE-B-DIN



Function

The RocketLinX ICRL-U-6RJ45-PoE-B-DIN is a 6-port unmanaged Power over Ethernet switch designed for use in vehicular and industrial applications. Featuring voltage boost technology it boosts an input voltage of 12 to 24 VDC to 48 VDC on each of its four 802.3af compliant 10/100 Mbps PoE ports. Two 1 Gbps ports connect attached PoE devices to the rest of the network without risk of traffic congestion. The passively cooled design ensures long-term reliability while providing 60 W of power to attached PoE devices in environments ranging in temperature from -25 to +60°C.

Dimensions



Technical Data

General specifications	
UL File Number	E185778
Functional safety related parameters	
MTBF	22.8 a
Ethernet Interface	
Connection type	RJ45
Auto-MDI(-X)	yes
Autonegotiation	yes
Transfer rate	4 - 10BASE-T, 100BASE-TX 10/100 Mbps 2 - 10BASE-T, 100BASE-TX, 1000BASE-T 10/100/1000 Mbps
Cable type	Category 5e or better

Release date: 2022-05-25 Date of issue: 2022-05-25 Filename: 70130975_eng.pdf

Refer to "General Notes Relating to Pepperl+Fuchs Product Information".

Pepperl+Fuchs Group
www.pepperl-fuchs.com

USA: +1 330 486 0001
fa-info@us.pepperl-fuchs.com

Germany: +49 621 776 1111
fa-info@de.pepperl-fuchs.com

Singapore: +65 6779 9091
fa-info@sg.pepperl-fuchs.com



Technical Data

PoE features		
Type		PoE output Mode: Alternative B
Max. total power		60 W
Standards		
IEEE 802.3 10BASE-T		yes
IEEE 802.3u 100BASE-TX		yes
IEEE 802.3x Flow Control and Back-pressure		yes
IEEE 802.1p Class of Service (CoS)		yes
IEEE 802.3ab 1000BASE-T		yes
IEEE802.3af Power over Ethernet (PoE)		yes
Indicators/operating means		
LED indication		see manual
Electrical specifications		
Rated operating voltage	U _e	12 ... 24 V DC
Power consumption		8.3 W max. 24 V without PD loading
General information		Digital output (relay output) rating 1 A Max. @ 24 V DC, Digital input
Nominal voltage		12 V , 24 V
Inputs/Outputs		
Number/Type		4 x RJ45 (Fast Ethernet) 2 x RJ45 (Gigabit)
Directive conformity		
Electromagnetic compatibility		
Directive 2014/30/EU		EN 55032:2015 , EN 55032/A11:2020 , EN 55035:2017/A11:2020 , EN 61000-6-2:2005 , EN 61000-6-4:2007 , EN 61000-6-4/A1:2011-02
RoHS		
Directive 2011/65/EU (RoHS)		EN IEC 63000:2018
Standard conformity		
Electrical safety		CSA C22.2 No. 60950 / CSA C22.2 No. 60950/UL60950
Emitted interference		EN 55032, FCC Part 15 Subpart B, ICES-003, AS/NZS CISPR 32
Noise immunity		EN 55032
Ambient conditions		
Ambient temperature		-25 ... 60 °C (-13 ... 140 °F)
Storage temperature		-40 ... 80 °C (-40 ... 176 °F)
Relative humidity		max. 95 %
Altitude		0 ... 3048 m
Mechanical specifications		
Housing length		149 mm
Housing width		66 mm
Housing height		131.2 mm with DIN rail clip
Degree of protection		IP30
Connection		Power Supply Terminal Block (4-pin) Ethernet 6 x RJ45
Material		
Housing		Aluminum
Mass		1.05 kg
Construction type		Cabinet module
Mounting		DIN rail or direct panel mounting

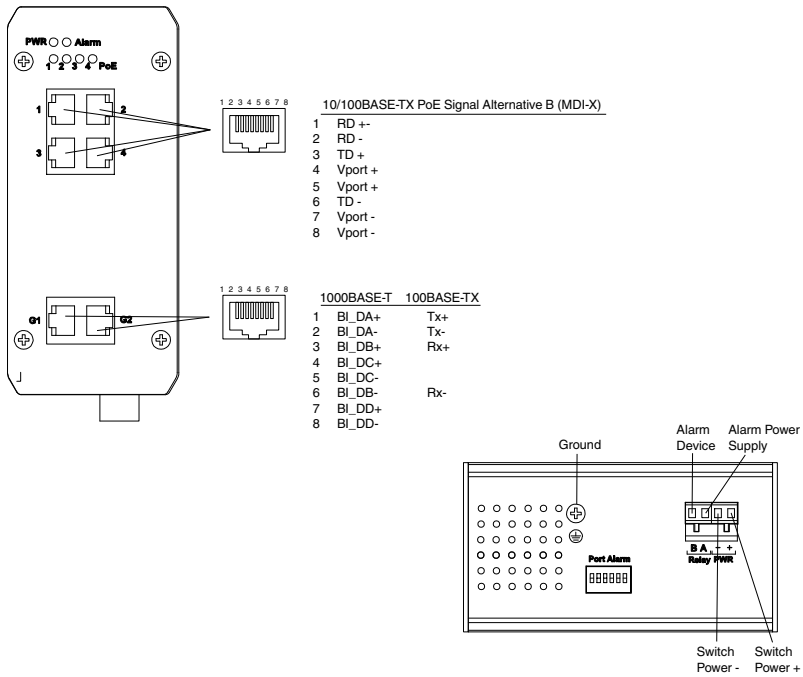
Release date: 2022-05-25 Date of issue: 2022-05-25 Filename: 70130975_eng.pdf

Refer to "General Notes Relating to Pepperl+Fuchs Product Information".

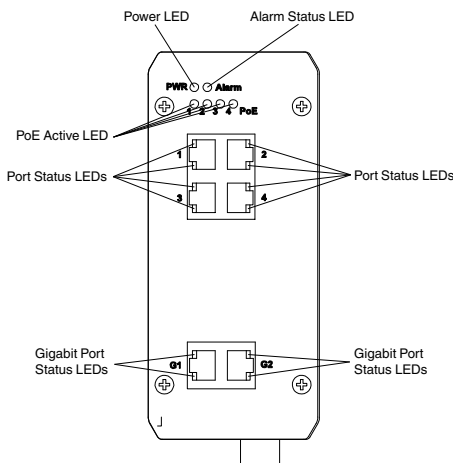
Pepperl+Fuchs Group
www.pepperl-fuchs.comUSA: +1 330 486 0001
fa-info@us.pepperl-fuchs.comGermany: +49 621 776 1111
fa-info@de.pepperl-fuchs.comSingapore: +65 6779 9091
fa-info@sg.pepperl-fuchs.com

PEPPERL+FUCHS

Connection



Indication



Accessories

	V45-G-C5-GN1M-PUR-E1S	Ethernet bus cable male cordset single-ended RJ45, 4-pin, PUR cable green, Cat5e, shielded, UL approved, drag chain suitable
	V45-G-C5-GN3M-PUR-E1S	Ethernet bus cable male cordset single-ended RJ45, 4-pin, PUR cable green, Cat5e, shielded, UL approved, drag chain suitable
	V45-G-C5-GN10M-PUR-E1S	Ethernet bus cable male cordset single-ended RJ45, 4-pin, PUR cable green, Cat5e, shielded, UL approved, drag chain suitable
	V45-G-C5-GN1M-PUR-E1S-V45-G	Ethernet bus cable RJ45 to RJ45 PROFINET-coded, 4-pin, PUR cable green, Cat5e, shielded, UL approved, drag chain suitable
	V45-G-C5-GN3M-PUR-E1S-V45-G	Ethernet bus cable RJ45 to RJ45 PROFINET-coded, 4-pin, PUR cable green, Cat5e, shielded, UL approved, drag chain suitable
	V45-G-C5-GN10M-PUR-E1S-V45-G	Ethernet bus cable RJ45 to RJ45 PROFINET-coded, 4-pin, PUR cable green, Cat5e, shielded, UL approved, drag chain suitable

Release date: 2022-05-25 Date of issue: 2022-05-25 Filename: 70130975_eng.pdf

Refer to "General Notes Relating to Pepperl+Fuchs Product Information".

Pepperl+Fuchs Group
www.pepperl-fuchs.com


USA: +1 330 486 0001
fa-info@us.pepperl-fuchs.com

Germany: +49 621 776 1111
fa-info@de.pepperl-fuchs.com

Singapore: +65 6779 9091
fa-info@sg.pepperl-fuchs.com

PEPPERL+FUCHS

Accessories

	V45-G-C5-GN20M-PUR-E1S-V45-G	Ethernet bus cable RJ45 to RJ45 PROFINET-coded, 4-pin, PUR cable green, Cat5e, shielded, UL approved, drag chain suitable
---	-------------------------------------	---

Release date: 2022-05-25 Date of issue: 2022-05-25 Filename: 70130975_eng.pdf