



# Ethernet switch unmanaged PoE voltage-boost switch

## ICRL-U-10RJ45-PoE-B-DIN

- Industrial PoE IEEE 802.3af compliant unmanaged switch
- Eight 10/100BASE-TX PoE ports and two Gigabit uplink ports
- Total output power budget of 80W (15.4W maximum on each port)
- Voltage boost technology that supports 8 - 32V DC power input sources for transportation, security and industrial applications
- QoS support for optimizing video and VoIP stream
- Alarm relay for failure and event notification
- Extended operating temperature range (-40 to +70 °C)
- Suitable for PROFINET IO and EtherNet/IP

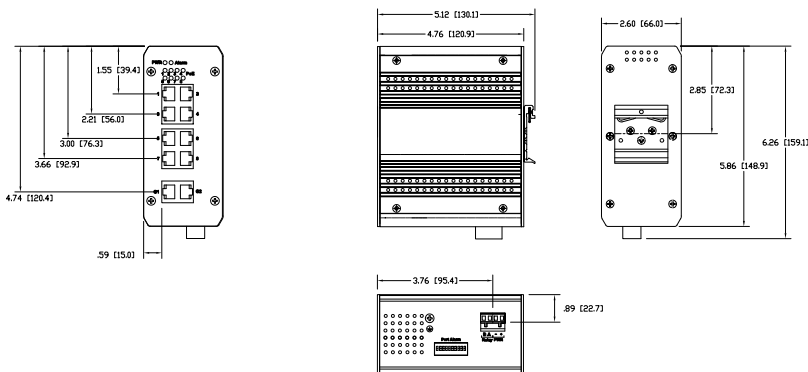
RocketLinX ICRL-U-10RJ45-PoE-B-DIN



### Function

The RocketLinX ICRL-U-10RJ45-PoE-B-DIN is a 10-port unmanaged Power over Ethernet switch designed for use in vehicular and industrial applications. Featuring voltage boost technology it boosts an input voltage of 8 to 32 VDC to 48 VDC on each of its eight 802.3af compliant 10/100 Mbps PoE ports. Two 1 Gbps ports connect attached PoE devices to the rest of the network without risk of traffic congestion. The passively cooled design ensures long-term reliability while providing 80 W of power to attached PoE devices in environments ranging in temperature from -25 to +60°C.

### Dimensions



### Technical Data

General specifications	
UL File Number	E185778
MTBF	22.8 a
Ethernet Interface	
Connection type	RJ45
Auto-MDI(-X)	yes
Autonegotiation	yes
Transfer rate	8 - 10BASE-T, 100BASE-TX 10/100 Mbps 2 - 10BASE-T, 100BASE-TX, 1000BASE-T 10/100/1000 Mbps
Cable type	Category 5e or better
PoE features	
Type	PoE output Mode: Alternative B
Max. total power	80 W
Standards	

Release date: 2024-04-22 Date of issue: 2024-04-22 Filename: 70130976\_eng.pdf

Refer to "General Notes Relating to Pepperl+Fuchs Product Information".

Pepperl+Fuchs Group  
www.pepperl-fuchs.com

USA: +1 330 486 0001  
fa-info@us.pepperl-fuchs.com

Germany: +49 621 776 1111  
fa-info@de.pepperl-fuchs.com

Singapore: +65 6779 9091  
fa-info@sg.pepperl-fuchs.com

**PEPPERL+FUCHS**

## Technical Data

IEEE 802.3 10BASE-T		yes
IEEE 802.3u 100BASE-TX		yes
IEEE 802.3x Flow Control and Back-pressure		yes
IEEE 802.1p Class of Service (CoS)		yes
IEEE 802.3ab 1000BASE-T		yes
IEEE802.3af Power over Ethernet (PoE)		yes
<b>Indicators/operating means</b>		
LED indication		see manual
<b>Electrical specifications</b>		
Rated operating voltage	U <sub>e</sub>	8 ... 32 V DC
Power consumption		15 W max. 24 V without PD loading
General information		Digital output (relay output) rating 1 A Max. @ 24 V DC, Digital input
Nominal voltage		12 V , 24 V
<b>Inputs/Outputs</b>		
Number/Type		8 x RJ45 (Fast Ethernet) 2 x RJ45 (Gigabit)
<b>Directive conformity</b>		
Electromagnetic compatibility		
Directive 2014/30/EU		EN 55032:2015 , EN 55032:2015+A11:2020 , EN 55035:2017/A11:2020 , EN 61000-6-2:2005 , EN 61000-6-4:2007 , EN 61000-6-4/A1:2011-02
RoHS		
Directive 2011/65/EU (RoHS)		EN IEC 63000:2018
<b>Standard conformity</b>		
Electrical safety		CSA C22.2 No. 60950 / CSA C22.2 No. 60950/UL60950
Emitted interference		EN 55032, FCC Part 15 Subpart B, ICES-003, AS/NZS CISPR 32
Noise immunity		EN 55032
<b>Ambient conditions</b>		
Ambient temperature		-40 ... 70 °C (-40 ... 158 °F)
Storage temperature		-40 ... 80 °C (-40 ... 176 °F)
Relative humidity		max. 95 %
Altitude		0 ... 3048 m
<b>Mechanical specifications</b>		
Degree of protection		IP30
Connection		Power Supply Terminal Block (4-pin) Ethernet 10 x RJ45
Material		
Housing		Aluminum
Mass		1.05 kg
Dimensions		
Height		131.2 mm with DIN rail clip
Width		66 mm
Length		149 mm
Construction type		Cabinet module
Mounting		DIN rail or direct panel mounting

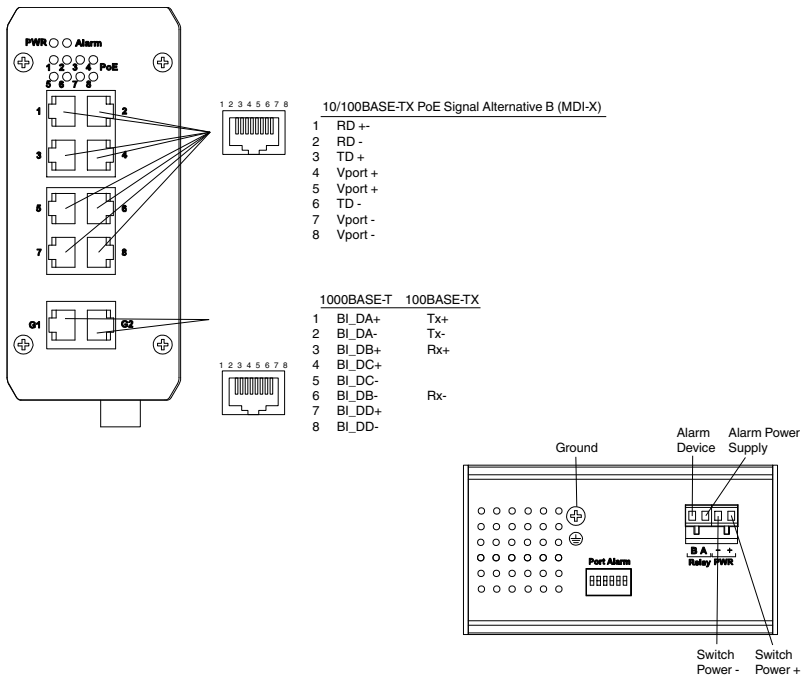
Release date: 2024-04-22 Date of issue: 2024-04-22 Filename: 70130976\_eng.pdf

Refer to "General Notes Relating to Pepperl+Fuchs Product Information".

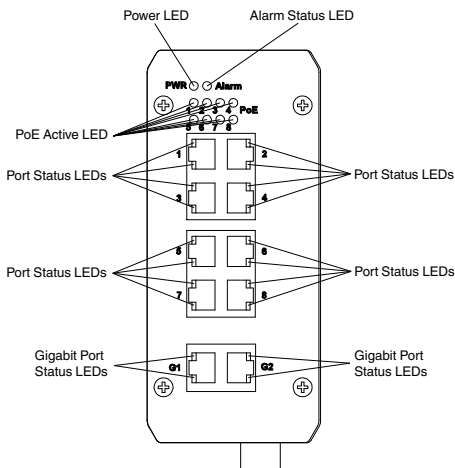
Pepperl+Fuchs Group  
www.pepperl-fuchs.comUSA: +1 330 486 0001  
fa-info@us.pepperl-fuchs.comGermany: +49 621 776 1111  
fa-info@de.pepperl-fuchs.comSingapore: +65 6779 9091  
fa-info@sg.pepperl-fuchs.com

**PEPPERL+FUCHS**

## Connection



## Indication



Release date: 2024-04-22 Date of issue: 2024-04-22 Filename: 70130976\_eng.pdf

Refer to "General Notes Relating to Pepperl+Fuchs Product Information".

Pepperl+Fuchs Group  
www.pepperl-fuchs.com

USA: +1 330 486 0001  
fa-info@us.pepperl-fuchs.com

Germany: +49 621 776 1111  
fa-info@de.pepperl-fuchs.com

Singapore: +65 6779 9091  
fa-info@sg.pepperl-fuchs.com