



Ethernet switch unmanaged PoE gigabit

ICRL-U-5RJ45-PoE-G-DIN

- Five - Gigabit RJ45 PoE ports
- Rugged housing for use in harsh environments
- 9K bytes jumbo frame for large file transfers
- Power event alarm
- Redundant power input 44-57V DC
- Extended temperature range -40 to +75 °C
- Suitable for PROFINET IO and EtherNet/IP

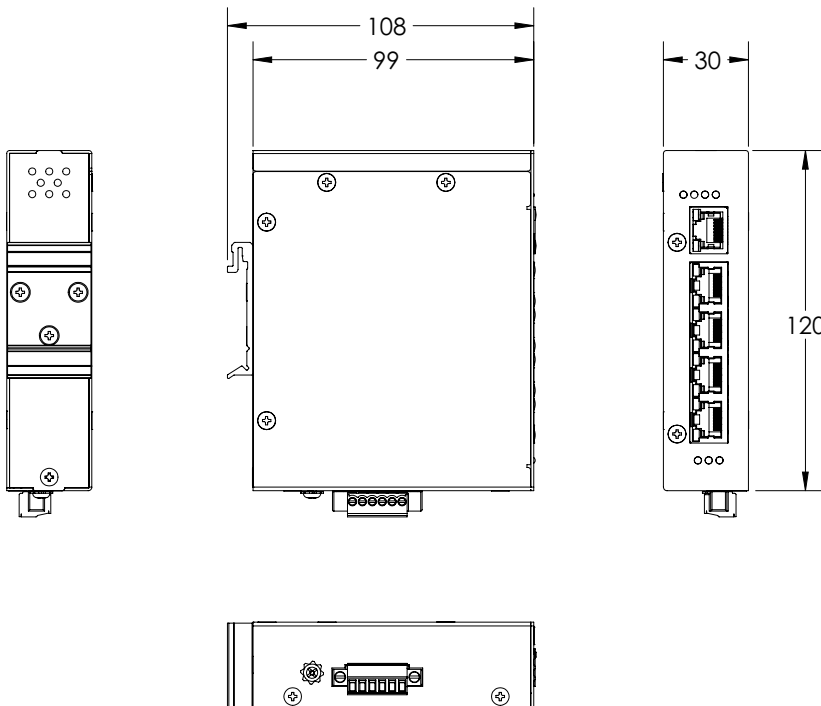
Ethernet unmanaged PoE switch with 5 RJ45 gigabit ports and fault alarm



Function

The RocketLinx ICRL-U-5RJ45-PoE-G-DIN is a 5-port unmanaged Power over Ethernet switch designed for use in industrial applications. Four 802.3at compliant Gigabit ports each provide up to 25.5 W of power to an attached PoE device. A fifth Gigabit port connects those devices to the rest of the network. The passively cooled design ensures long-term reliability while providing 112 W of power to attached PoE devices in environments ranging in temperature from -40 to +75°C.

Dimensions



Technical Data

General specifications	
UL File Number	E185778
MTBF	44.5 years
Ethernet Interface	
Connection type	RJ45
Auto-MDI(-X)	yes

Release date: 2024-04-22 Date of issue: 2024-04-22 Filename: 70130977_eng.pdf

Refer to "General Notes Relating to Pepperl+Fuchs Product Information".

Pepperl+Fuchs Group
www.pepperl-fuchs.com

USA: +1 330 486 0001
fa-info@us.pepperl-fuchs.com

Germany: +49 621 776 1111
fa-info@de.pepperl-fuchs.com

Singapore: +65 6779 9091
fa-info@sg.pepperl-fuchs.com



Technical Data

Autonegotiation		yes
Transfer rate		5 - 10BASE-T, 100BASE-TX, 1000BASE-T 10/100/1000 Mbps
Cable type		Category 5e or better
PoE features		
Type		PoE output Mode: Alternative A
Max. total power		112 W @ 52 V
Standards		
IEEE 802.3 10BASE-T		yes
IEEE 802.3u 100BASE-TX		yes
IEEE 802.3x Flow Control and Back-pressure		yes
IEEE 802.3ab 1000BASE-T		yes
IEEE802.3af Power over Ethernet (PoE)		yes
IEEE802.3at Power over Ethernet (PoE) Plus		yes
Indicators/operating means		
LED indication		see manual
Electrical specifications		
Rated operating voltage	U _e	44 ... 57 V DC
Power consumption		3 W @ 60 V DC
General information		Redundant power, polarity reverse protection, power fault alarm, relay output rating 1 A Max. @ 24 V DC
Nominal voltage		48 V , 60 V
Inputs/Outputs		
Number/Type		5 x RJ45
Directive conformity		
Electromagnetic compatibility		
Directive 2014/30/EU		EN 50121-1:2017 , EN 50121-4:2016 , EN 55032:2015 , EN 55032:2015+A11:2020 , EN 55035:2017/A11:2020 , EN 61000-6-2:2005 , EN 61000-6-4:2007 + A1:2011
RoHS		
Directive 2011/65/EU (RoHS)		EN IEC 63000:2018
Standard conformity		
Electromagnetic compatibility		EN 50121-4
Electrical safety		CSA C22.2 No. 60950 / CSA C22.2 No. 60950/UL60950
Emitted interference		EN 55032, FCC Part 15 Subpart B, ICES-003, AS/NZS CISPR 32
Noise immunity		EN 55032, EN61000-6-2
Ambient conditions		
Ambient temperature		-40 ... 75 °C (-40 ... 167 °F)
Storage temperature		-40 ... 85 °C (-40 ... 185 °F)
Relative humidity		max. 95 %
Altitude		0 ... 3048 m
Mechanical specifications		
Degree of protection		IP30
Connection		Power Supply Terminal Block Ethernet 5 x RJ45
Material		
Housing		Aluminum
Mass		650 g
Dimensions		
Height		120 mm
Width		30 mm
Length		99 mm
Construction type		Cabinet module
Mounting		DIN rail or direct panel mounting

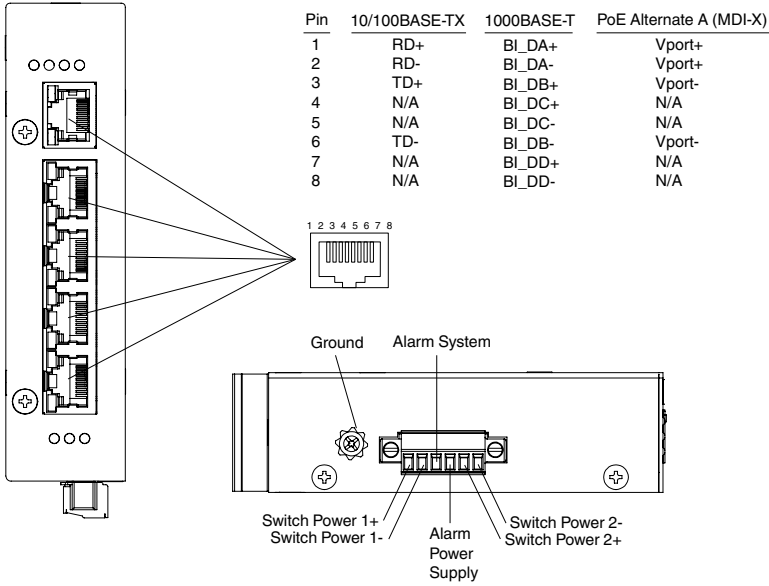
Release date: 2024-04-22 Date of issue: 2024-04-22 Filename: 70130977_eng.pdf

Refer to "General Notes Relating to Pepperl+Fuchs Product Information".

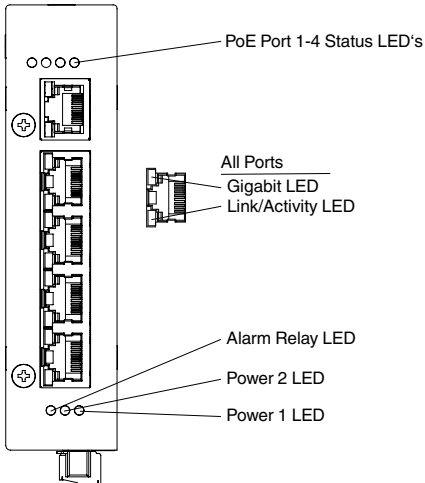
Pepperl+Fuchs Group
www.pepperl-fuchs.comUSA: +1 330 486 0001
fa-info@us.pepperl-fuchs.comGermany: +49 621 776 1111
fa-info@de.pepperl-fuchs.comSingapore: +65 6779 9091
fa-info@sg.pepperl-fuchs.com

PEPPERL+FUCHS

Connection Assignment



Indication



Release date: 2024-04-22 Date of issue: 2024-04-22 Filename: 70130977_eng.pdf

Refer to "General Notes Relating to Pepperl+Fuchs Product Information".