

# Mounting bracket

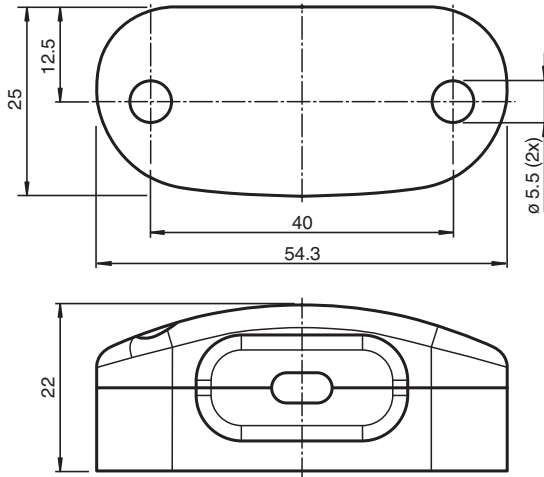
## USI-MH-27X13-H-01



- Screw mounting for simple installation
- Robust construction

Horizontal mounting bracket exclusively for the USi-safety ultrasonic transducer

### Dimensions



### Technical Data

<b>Ambient conditions</b>	
Ambient temperature	-40 ... 80 °C (-40 ... 176 °F)
Storage temperature	-40 ... 85 °C (-40 ... 185 °F)
<b>Mechanical specifications</b>	
Material	
Housing	PA12
Mounting materials	2 x cylinder head screw M5x12 (included with delivery) 2 x cylinder head screw M3x8 (included with delivery)
Tightening torque, fastening screws	for screw M5 : max. 1.5 Nm for screw M3 : max. 0.5 Nm
Dimensions	25 mm x 54.3 mm x 22 mm

### Commissioning

This component is only intended for use in conjunction with the ultrasonic sensor system USi-safety. Further details, mounting and commissioning instructions for the safe ultrasonic sensor system USi-safety can be found in the original instructions on the respective product page at [www.pepperl-fuchs.com](http://www.pepperl-fuchs.com).

Release date: 2023-08-03 Date of issue: 2023-08-03 Filename: 70131325\_eng.pdf

Refer to "General Notes Relating to Pepperl+Fuchs Product Information".

Pepperl+Fuchs Group  
www.pepperl-fuchs.com




USA: +1 330 486 0001  
fa-info@us.pepperl-fuchs.com

Germany: +49 621 776 1111  
fa-info@de.pepperl-fuchs.com

Singapore: +65 6779 9091  
fa-info@sg.pepperl-fuchs.com

**PF** PEPPERL+FUCHS

**Matching System Components**

	<p><b>USI-F262-2E5-V19-S2D3</b></p>	<p>Evaluation unit exclusively for the ultrasonic sensor system USi-safety</p>
	<p><b>USI2500-27X13E-1,5M-V3</b></p>	<p>Ultrasonic transducer with cable 1.5 m, exclusively for the USi-safety evaluation unit</p>
	<p><b>USI2500-27X13E-3M-V3</b></p>	<p>Ultrasonic transducer with cable 3 m, exclusively for the USi-safety evaluation unit</p>

Release date: 2023-08-03 Date of issue: 2023-08-03 Filename: 70131325\_eng.pdf

Refer to "General Notes Relating to Pepperl+Fuchs Product Information".

Pepperl+Fuchs Group  
www.pepperl-fuchs.com

USA: +1 330 486 0001  
fa-info@us.pepperl-fuchs.com

Germany: +49 621 776 1111  
fa-info@de.pepperl-fuchs.com

Singapore: +65 6779 9091  
fa-info@sg.pepperl-fuchs.com