



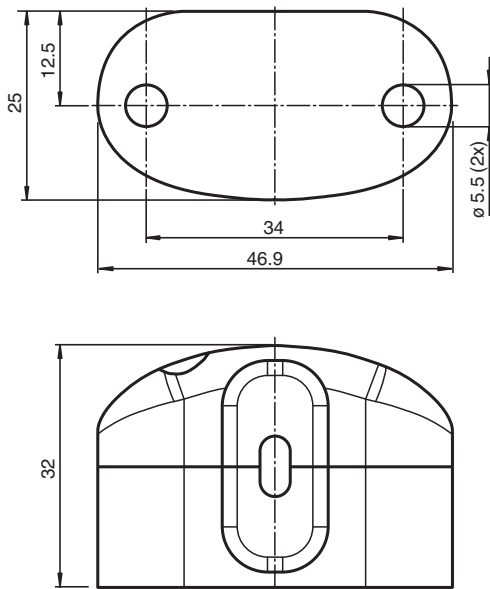
Mounting bracket

USI-MH-27X13-V-01

- Screw mounting for simple installation
- Robust construction

Vertical mounting bracket exclusively for the USi-safety ultrasonic transducer

Dimensions



Technical Data

Ambient conditions	
Ambient temperature	-40 ... 80 °C (-40 ... 176 °F)
Storage temperature	-40 ... 85 °C (-40 ... 185 °F)
Mechanical specifications	
Material	
Housing	PA12
Mounting materials	2 x cylinder head screw M5x16 (included with delivery) 2 x cylinder head screw M3x10 (included with delivery)
Tightening torque, fastening screws	for screw M5 : max. 1.5 Nm for screw M3 : max. 0.5 Nm
Dimensions	25 mm x 46.9 mm x 32 mm




Release date: 2023-07-31 Date of issue: 2023-07-31 Filename: 70131326_eng.pdf

Refer to "General Notes Relating to Pepperl+Fuchs Product Information".

Commissioning

This component is only intended for use in conjunction with the ultrasonic sensor system USi-safety. Further details, mounting and commissioning instructions for the safe ultrasonic sensor system USi-safety can be found in the original instructions on the respective product page at www.pepperl-fuchs.com.

Matching System Components

	USI-F262-2E5-V19-S2D3	Evaluation unit exclusively for the ultrasonic sensor system USi-safety
	USI2500-27X13E-1,5M-V3	Ultrasonic transducer with cable 1.5 m, exclusively for the USi-safety evaluation unit
	USI2500-27X13E-3M-V3	Ultrasonic transducer with cable 3 m, exclusively for the USi-safety evaluation unit