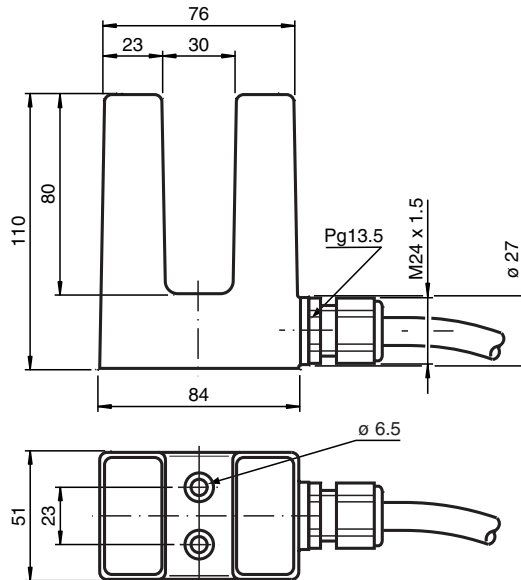


Inductive slot sensor SJ30-N

■ 30 mm slot width



Dimensions



Technical Data

General specifications

Switching function	Normally closed (NC)
Output type	NAMUR
Slot width	30 mm
Depth of immersion (lateral)	27 ... 30 mm
Output type	2-wire

Nominal ratings

Nominal voltage	U_o	8.2 V (R_i approx. 1 k Ω)
Operating voltage	U_B	5 ... 25 V
Switching frequency	f	0 ... 150 Hz
Hysteresis	H	0.1 ... 0.3 mm

Current consumption

Measuring plate not detected	≥ 3 mA at nominal voltage
Measuring plate detected	≤ 1 mA at nominal voltage

Release date: 2023-01-27 Date of issue: 2023-01-27 Filename: 70132998_eng.pdf

Refer to "General Notes Relating to Pepperl+Fuchs Product Information".

Pepperl+Fuchs Group
www.pepperl-fuchs.com

USA: +1 330 486 0001
fa-info@us.pepperl-fuchs.com

Germany: +49 621 776 1111
fa-info@de.pepperl-fuchs.com

Singapore: +65 6779 9091
fa-info@sg.pepperl-fuchs.com

PF PEPPERL+FUCHS

Technical Data

Functional safety related parameters		
MTTF _d		5270 a
Mission Time (T _M)		20 a
Diagnostic Coverage (DC)		0 %
Compliance with standards and directives		
Standard conformity		
NAMUR		EN 60947-5-6:2000 IEC 60947-5-6:1999
Standards		EN 60947-5-2:2007 EN 60947-5-2/A1:2012 IEC 60947-5-2:2007 IEC 60947-5-2 AMD 1:2012
Approvals and certificates		
IECEX approval		
Equipment protection level Ga		IECEX PTB 11.0091X
Equipment protection level Gb		IECEX PTB 11.0091X
Equipment protection level Da		IECEX PTB 11.0091X
Equipment protection level Mb		IECEX PTB 11.0091X
ATEX approval		
Equipment protection level Ga		PTB 99 ATEX 2219 X
Equipment protection level Gb		PTB 99 ATEX 2219 X
Equipment protection level Da		PTB 99 ATEX 2219 X
UL approval		
Ordinary Location		E87056
Hazardous Location		E501628
Control drawing		116-0453
CCC approval		
Hazardous Location		2020322315002307
NEPSI approval		
NEPSI certificate		GYJ16.1391X
Ambient conditions		
Ambient temperature		-25 ... 70 °C (-13 ... 158 °F)
Mechanical specifications		
Connection type		cable
Housing material		ABS
Degree of protection		IP67
Cable		
Cable diameter		6 mm ± 0.2 mm
Bending radius		> 10 x cable diameter
Material		PVC
Core cross section		0.75 mm ²
Length	L	2 m
Mass		450 g
General information		
Use in the hazardous area		see instruction manuals

Release date: 2023-01-27 Date of issue: 2023-01-27 Filename: 70132998_eng.pdf

Refer to "General Notes Relating to Pepperl+Fuchs Product Information".

Pepperl+Fuchs Group
www.pepperl-fuchs.com

USA: +1 330 486 0001
fa-info@us.pepperl-fuchs.com

Germany: +49 621 776 1111
fa-info@de.pepperl-fuchs.com

Singapore: +65 6779 9091
fa-info@sg.pepperl-fuchs.com

 PEPPERL+FUCHS

Connection



Release date: 2023-01-27 Date of issue: 2023-01-27 Filename: 70132998_eng.pdf

Refer to "General Notes Relating to Pepperl+Fuchs Product Information".

Pepperl+Fuchs Group
www.pepperl-fuchs.com

USA: +1 330 486 0001
fa-info@us.pepperl-fuchs.com

Germany: +49 621 776 1111
fa-info@de.pepperl-fuchs.com

Singapore: +65 6779 9091
fa-info@sg.pepperl-fuchs.com