

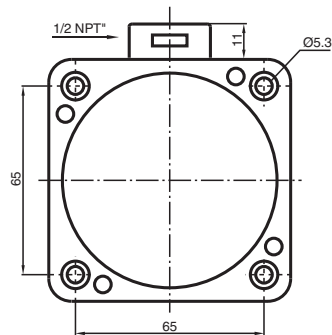
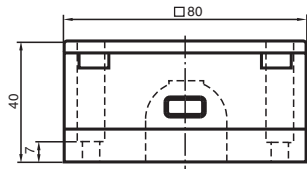


Inductive sensor NJ40-FP-SN-P4

■ 40 mm non-flush



Dimensions



Technical Data

General specifications

Switching function		Normally closed (NC)
Output type		NAMUR with safety function
Rated operating distance	s_n	40 mm
Installation		non-flush
Assured operating distance	s_a	0 ... 32.4 mm
Reduction factor r_{AI}		0.4
Reduction factor r_{Cu}		0.3
Reduction factor r_{304}		0.85
Output type		2-wire

Nominal ratings

Nominal voltage	U_o	8.2 V (R_i approx. 1 k Ω)
Switching frequency	f	0 ... 100 Hz
Current consumption		

Release date: 2024-04-12 Date of issue: 2024-04-12 Filename: 70133170_eng.pdf

Refer to "General Notes Relating to Pepperl+Fuchs Product Information".

Pepperl+Fuchs Group
www.pepperl-fuchs.com

USA: +1 330 486 0001
fa-info@us.pepperl-fuchs.com

Germany: +49 621 776 1111
fa-info@de.pepperl-fuchs.com

Singapore: +65 6779 9091
fa-info@sg.pepperl-fuchs.com

PEPPERL+FUCHS

Technical Data

Measuring plate not detected	min. 3 mA
Measuring plate detected	≤ 1 mA
Functional safety related parameters	
MTTF _d	7560 a
Mission Time (T _M)	20 a
Diagnostic Coverage (DC)	0 %
Compliance with standards and directives	
Standard conformity	
NAMUR	EN 60947-5-6:2000 IEC 60947-5-6:1999
Standards	EN 60947-5-2:2007 EN 60947-5-2/A1:2012 IEC 60947-5-2:2007 IEC 60947-5-2 AMD 1:2012
Approvals and certificates	
IECEX approval	
Equipment protection level Gb	IECEX PTB 11.0092X
Equipment protection level Da	IECEX PTB 11.0092X
ATEX approval	
Equipment protection level Gb	PTB 00 ATEX 2049 X
Equipment protection level Da	PTB 00 ATEX 2049 X
UL approval	cULus Listed, General Purpose
KCC approval	
Hazardous Location	18-AV4BO-0478X
Ambient conditions	
Ambient temperature	-40 ... 100 °C (-40 ... 212 °F)
Mechanical specifications	
Connection type	1/2 NPT terminal compartment, wire cross-section ≤ 2.5 mm ²
Core cross section	up to 2.5 mm ²
Housing material	PBT/metal
Sensing face	PBT
Degree of protection	IP68
Dimensions	
Height	40 mm
Width	80 mm
Length	80 mm
General information	
Use in the hazardous area	see instruction manuals

Connection

