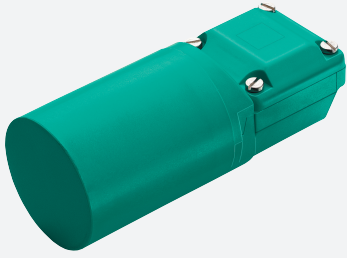


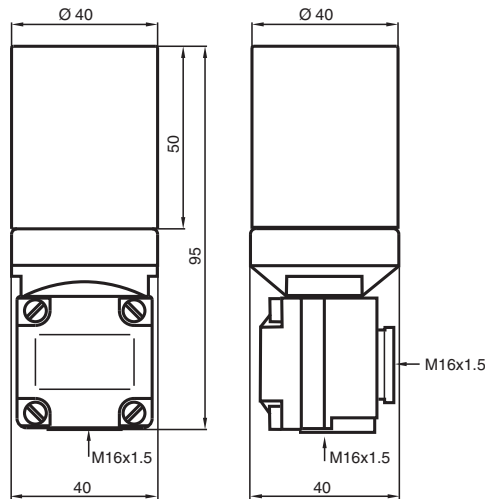
Inductive sensor

NJ20-40-N

■ 20 mm non-flush



Dimensions



Technical Data

General specifications		
Switching function		Normally closed (NC)
Output type		NAMUR
Rated operating distance	s_n	20 mm
Installation		non-flush
Assured operating distance	s_a	0 ... 16.2 mm
Reduction factor r_{AI}		0.4
Reduction factor r_{Cu}		0.3
Reduction factor r_{304}		0.85
Output type		2-wire
Nominal ratings		
Nominal voltage	U_o	8.2 V (R_i approx. 1 k Ω)
Switching frequency	f	0 ... 100 Hz
Current consumption		
Measuring plate not detected		min. 3 mA
Measuring plate detected		\leq 1 mA

Release date: 2024-01-09 Date of issue: 2024-01-09 Filename: 70133323_eng.pdf

Refer to "General Notes Relating to Pepperl+Fuchs Product Information".

Pepperl+Fuchs Group
www.pepperl-fuchs.com

USA: +1 330 486 0001
fa-info@us.pepperl-fuchs.com

Germany: +49 621 776 1111
fa-info@de.pepperl-fuchs.com

Singapore: +65 6779 9091
fa-info@sg.pepperl-fuchs.com

PEPPERL+FUCHS

Technical Data

Functional safety related parameters

MTTF _d	11400 a
Mission Time (T _M)	20 a
Diagnostic Coverage (DC)	0 %

Compliance with standards and directives

Standard conformity

NAMUR	EN 60947-5-6:2000 IEC 60947-5-6:1999
Standards	EN 60947-5-2:2007 EN 60947-5-2/A1:2012 IEC 60947-5-2:2007 IEC 60947-5-2 AMD 1:2012

Approvals and certificates

IECEX approval

Equipment protection level Gb	IECEX PTB 11.0037X
Equipment protection level Da	IECEX PTB 11.0037X
Equipment protection level Mb	IECEX PTB 11.0037X

ATEX approval

Equipment protection level Gb	PTB 00 ATEX 2048 X
Equipment protection level Da	PTB 00 ATEX 2048 X

UL approval cULus Listed, General Purpose

CCC approval

Hazardous Location 2020322315002258

NEPSI approval

NEPSI certificate GYJ16.1393X

CML approval on request

ANZEx 18.3018X

Ambient conditions

Ambient temperature -25 ... 100 °C (-13 ... 212 °F)

Mechanical specifications

Connection type	terminal compartment
Core cross section	up to 2.5 mm ²
Housing material	PBT
Sensing face	PBT
Degree of protection	IP67
Dimensions	
Length	95 mm
Diameter	40 mm

General information

Use in the hazardous area see instruction manuals

Connection

