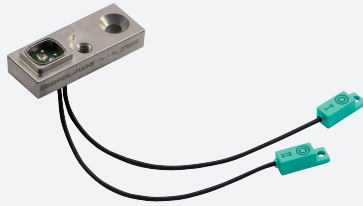


Inductive power clamp sensor

NBN2-F58xxA3-850S3

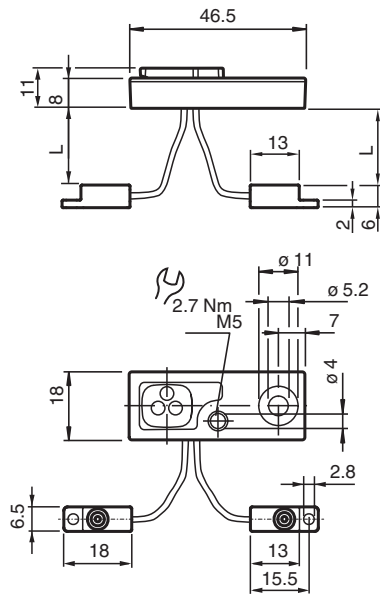


- Technical data are only valid if amplifier unit is connected
- 2 mm non-flush
- For use in direct- and alternating-field welding systems
- Completely halogen and silicon free

Satellite unit



Dimensions



Technical Data

General specifications

| | | |
|--------------------------|-------|-----------|
| Rated operating distance | s_n | 2 mm |
| Installation | | non-flush |

Compliance with standards and directives

| | | |
|---------------------|--|---|
| Standard conformity | | |
| Standards | | EN 60947-5-2:2007 EN 60947-5-2/A1:2012 IEC 60947-5-2:2007 IEC 60947-5-2 AMD 1:2012 |

Approvals and certificates

| | | |
|-------------|--|-------------------------------|
| UL approval | | cULus Listed, General Purpose |
|-------------|--|-------------------------------|

Release date: 2022-06-20 Date of issue: 2022-06-20 Filename: 70134865_eng.pdf

Refer to "General Notes Relating to Pepperl+Fuchs Product Information".

Pepperl+Fuchs Group
www.pepperl-fuchs.com

USA: +1 330 486 0001
fa-info@us.pepperl-fuchs.com

Germany: +49 621 776 1111
fa-info@de.pepperl-fuchs.com

Singapore: +65 6779 9091
fa-info@sg.pepperl-fuchs.com

PF PEPPERL+FUCHS

Technical Data

| Ambient conditions | |
|----------------------------------|---|
| Ambient temperature | 0 ... 50 °C (32 ... 122 °F) |
| Storage temperature | -25 ... 70 °C (-13 ... 158 °F) |
| Mechanical specifications | |
| Connection type | Spring contacts, 3 pins flexible leads PUR (halogen-free) L = 850 mm - 0 / + 10 |
| Housing material | PA 6 / Diecast zinc |
| Degree of protection | IP65 |
| Note | only for use with amplifier unit of NBxx-F58A3x3 family |

Mounting

Mechanical protection of the oscillator leads

The leads to the oscillators must be mechanically protected and firmly laid to prevent damage from external influences.