



# Solenoid Driver

## HiC2883

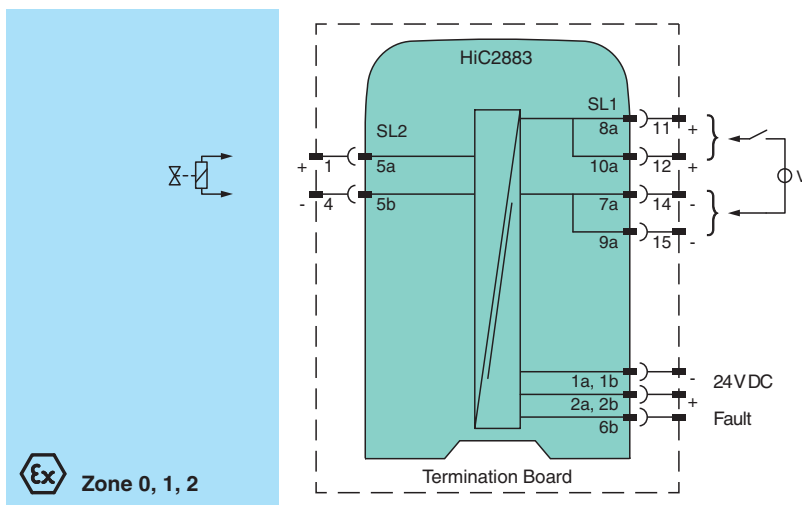
- 1-channel isolated barrier
- 24 V DC supply (bus or loop powered)
- Output 45 mA at 12 V DC
- Line fault transparency (LFT)
- Test pulse immunity
- Up to SIL 3 acc. to IEC/EN 61508



### Function

This isolated barrier is used for intrinsic safety applications. It supplies power to solenoids, LEDs and audible alarms located in a hazardous area. The device is controlled with a loop powered signal or a bus powered logic signal. The device is immune to the test pulses of various control systems. The device simulates a minimum load at the input. The minimum load can be activated and de-activated. The line fault transparency function can display a line fault in the field by a change in impedance at the switching input of the solenoid driver. The line fault transparency function is only available, if the device is supplied via the termination board.

### Connection



**Ex** Zone 0, 1, 2

### Technical Data

General specifications	
Signal type	Digital Output
Functional safety related parameters	
Safety Integrity Level (SIL)	SIL 3
Systematic capability (SC)	SC 3
Supply	
Connection	SL1: 1a, 1b(-); 2a, 2b(+)
Rated voltage	U <sub>r</sub> 19 ... 30 V bus powered via Termination Board 19 ... 30 V loop powered via input , reverse polarity protected
Input current	75 mA at 24 V, 270 Ω load
Power dissipation	1.3 W at 24 V, 270 Ω load

Release date: 2023-06-05 Date of issue: 2023-06-05 Filename: 70140020\_eng.pdf

Refer to "General Notes Relating to Pepperl+Fuchs Product Information".

Pepperl+Fuchs Group  
www.pepperl-fuchs.com

USA: +1 330 486 0002  
pa-info@us.pepperl-fuchs.com

Germany: +49 621 776 2222  
pa-info@de.pepperl-fuchs.com

Singapore: +65 6779 9091  
pa-info@sg.pepperl-fuchs.com



## Technical Data

Input		
Connection side		control side
Connection		SL1: 7a(-), 9a(-); 8a(+), 10a(+)
Test pulse length		max. 2 ms from DO card
Signal level		loop powered 1-signal: 19 ... 30 V DC 0-signal: 0 ... 5 V DC bus powered 1-signal: 15 ... 30 V DC (current limited at 5 mA) 0-signal: 0 ... 5 V DC
Rated current	$I_r$	0-signal: typ. 1.6 mA at 1.5 V DC; typ. 8 mA at 3 V DC (maximum leakage current DO card) 1-signal: $\geq 36$ mA (minimum load current DO card)
Inrush current		< 200 mA , 10 ms loop powered
Output		
Connection side		field side
Connection		SL2: 5a(+), 5b(-)
Internal resistor	$R_i$	approx. 240 $\Omega$
Current	$I_e$	typ. 45 mA
Voltage	$U_e$	$\geq 12$ V
Current limit	$I_{max}$	50 mA
Open loop voltage	$U_s$	typ. 24.6 V
Load		nominal 0.05 ... 18 k $\Omega$
Switching frequency	f	max. 10 Hz
Energized/De-energized delay		20 ms / 5 ms
Line fault detection		
Short-circuit		< 25 $\Omega$
Open-circuit		> 50 k $\Omega$
Test current		< 500 $\mu$ A
Fault indication output		
Connection		SL1: 6b
Output type		open collector transistor (internal fault bus)
Galvanic isolation		
Output/other circuits		basic insulation according to IEC/EN 61010-1, rated insulation voltage 300 V <sub>eff</sub>
Indicators/settings		
Display elements		LEDs
Control elements		DIP switch
Configuration		via DIP switches
Labeling		space for labeling at the front
Directive conformity		
Electromagnetic compatibility		
Directive 2014/30/EU		EN 61326-1:2013 (industrial locations)
Conformity		
Electromagnetic compatibility		NE 21:2017 , IEC/EN 61326-3-2:2018 For further information see system description.
Degree of protection		IEC 60529:2013
Protection against electrical shock		UL 61010-1:2012
Ambient conditions		
Ambient temperature		-40 ... 70 °C (-40 ... 158 °F)
Mechanical specifications		
Degree of protection		IP20
Mass		approx. 150 g
Dimensions		12.5 x 106 x 128 mm (0.5 x 4.2 x 5.1 inch) (W x H x D)
Mounting		on termination board
Coding		pin 1 and 4 trimmed For further information see system description.

Release date: 2023-06-05 Date of issue: 2023-06-05 Filename: 70140020\_eng.pdf

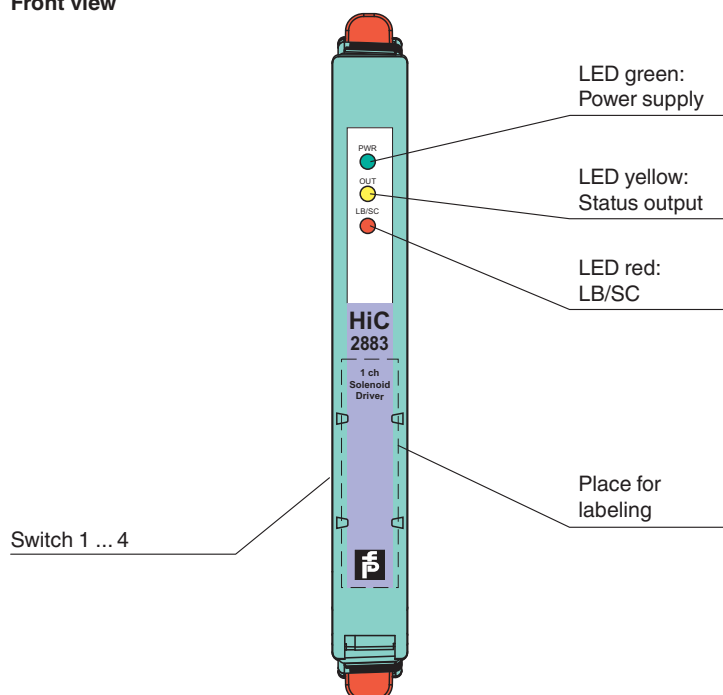
## Technical Data

### Data for application in connection with hazardous areas

EU-type examination certificate		FIDI 21 ATEX 0069X
Marking		Ⓜ II 3(1)G Ex nC ec [ia Ga] IIC T4 Gc Ⓜ II (1)D [Ex ia Da] IIIC Ⓜ I (M1) [Ex ia Ma] I
Output		Ex ia
Voltage	$U_o$	26 V
Current	$I_o$	110 mA
Power	$P_o$	715 mW
Supply		
Maximum safe voltage	$U_m$	60 V (Attention! The rated voltage can be lower.)
Input		
Maximum safe voltage	$U_m$	60 V (Attention! The rated voltage can be lower.)
Galvanic isolation		
Input/Output		safe electrical isolation acc. to IEC/EN 60079-11, rated insulation voltage 300 $V_{rms}$
Directive conformity		
Directive 2014/34/EU		EN IEC 60079-0:2018+AC:2020 , EN 60079-7:2015+A1:2018 , EN 60079-11:2012 , EN IEC 60079-15:2019
<b>International approvals</b>		
FM approval		FM 17 US 0111 X , FM 17 CA 0057 X
Control drawing		116-0442
UL approval		E106378
Control drawing		116-0447A (cULus)
IECEX approval		
IECEX certificate		IECEX EXA 17.0009X
IECEX marking		Ex nC ec [ia Ga] IIC T4 Gc [Ex ia Da] IIIC [Ex ia Ma] I
<b>General information</b>		
Supplementary information		Observe the certificates, declarations of conformity, instruction manuals, and manuals where applicable. For information see <a href="http://www.pepperl-fuchs.com">www.pepperl-fuchs.com</a> .

## Assembly

### Front view



## Configuration

Configure the device in the following way:

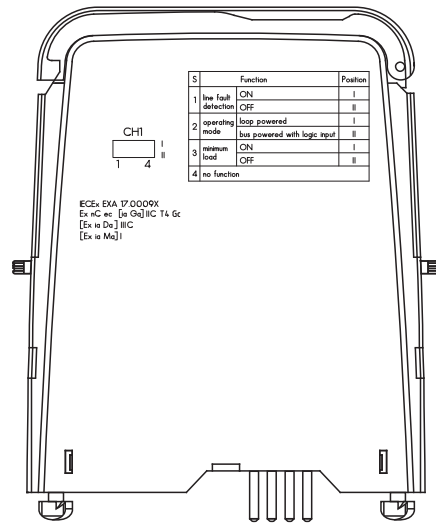
- Push the red Quick Lok Bars on each side of the device in the upper position.
- Remove the device from termination board.
- Set the switches according to the figure in the **Configuration** section.

### Note

The pins for this device are trimmed to polarize it according to its safety parameters. Do not change the setting. For further information see system description.

If the control system DO card does not support the line fault transparency function of the isolator, disable the line fault detection, e. g. Yokogawa Network IO for SIS **S2MMM843/S2MDV843** as style = 1.

**Configuration**



**Switch settings**

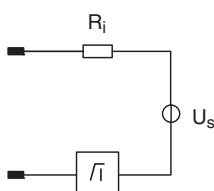
Switch	Function		Position
S1	Line fault detection	enabled	I
		disabled	II
S2	Mode of operation	loop powered	I
		bus powered with logic input	II
S3	Minimum load	enabled	I
		disabled	II
S4	No function		

Factory setting: line fault detection enabled, operating mode loop powered, minimum load enabled

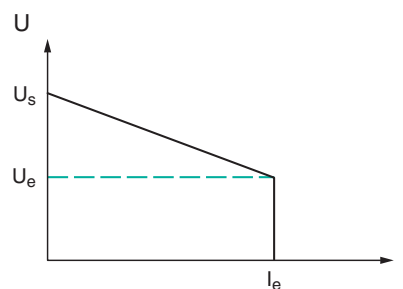
**Characteristic Curve**

**Output characteristics**

**Output circuit diagram**



**Output characteristic**



Release date: 2023-06-05 Date of issue: 2023-06-05 Filename: 70140020\_eng.pdf