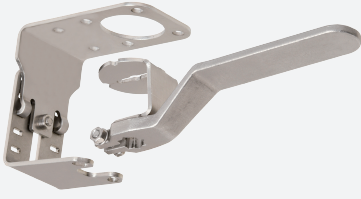


# Mounting set

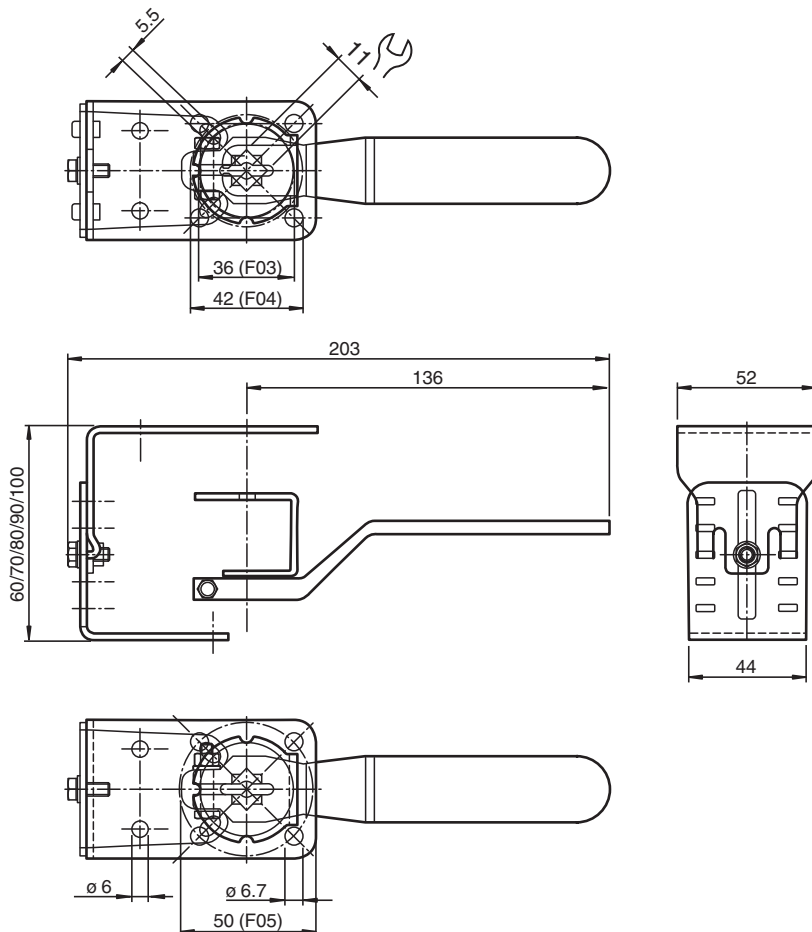
## MHV-BT-F0304-G11



- Simple mounting
- No hole required in drive shaft
- Hand lever included
- All-in-one stainless steel solution
- Conforming to standards
- Adjustable in height

Adjustable assembly set for sizes F03 and F04 manual operated valves according to EN ISO5211, square shaft G= 11 mm, minimum height 13 mm

### Dimensions



### Technical Data

#### General specifications

Suitable sensors and

Double sensors, -F25 series with actuator BT32...  
 Double sensors, -F25K series with actuator BT32...  
 Double sensors, -F31 series with actuator BT65...  
 Double sensors, -F31K series with actuator BT65...  
 Double sensors, -F31K2 series with actuator BT65...

Release date: 2021-12-01 Date of issue: 2021-12-01 Filename: 70140235\_eng.pdf

Refer to "General Notes Relating to Pepperl+Fuchs Product Information".

Pepperl+Fuchs Group  
 www.pepperl-fuchs.com

USA: +1 330 486 0001  
 fa-info@us.pepperl-fuchs.com

Germany: +49 621 776 1111  
 fa-info@de.pepperl-fuchs.com



Singapore: +65 6779 9091  
 fa-info@sg.pepperl-fuchs.com

**PF** PEPPERL+FUCHS

**Technical Data**

<b>Standard conformity</b>	
Standards	DIN EN ISO 5211 / DIN 3337
<b>Mechanical specifications</b>	
Material	stainless steel 1.4301 / AISI 304 for plates and sheet metal bending parts Stainless steel 1.4305 / AISI 303 for shaft Stainless steel 1.4408 / AISI 316 for handle
Mass	147 g
<b>General information</b>	
Note	For the mounting set, an adapter plate and depending on this, and further accessories must be ordered.

**Matching System Components**

	<b>MHV-BT-F25/F31</b>	Adapter plate for double sensors -F25/-F31 series
	<b>MHV-BT-F31K/F31K2</b>	Adapter plate for double sensors F31K/-F31K2 series

Release date: 2021-12-01 Date of issue: 2021-12-01 Filename: 70140235\_eng.pdf

Refer to "General Notes Relating to Pepperl+Fuchs Product Information".

Pepperl+Fuchs Group  
www.pepperl-fuchs.com

USA: +1 330 486 0001  
fa-info@us.pepperl-fuchs.com

Germany: +49 621 776 1111  
fa-info@de.pepperl-fuchs.com

Singapore: +65 6779 9091  
fa-info@sg.pepperl-fuchs.com