



Industrial Event Camera

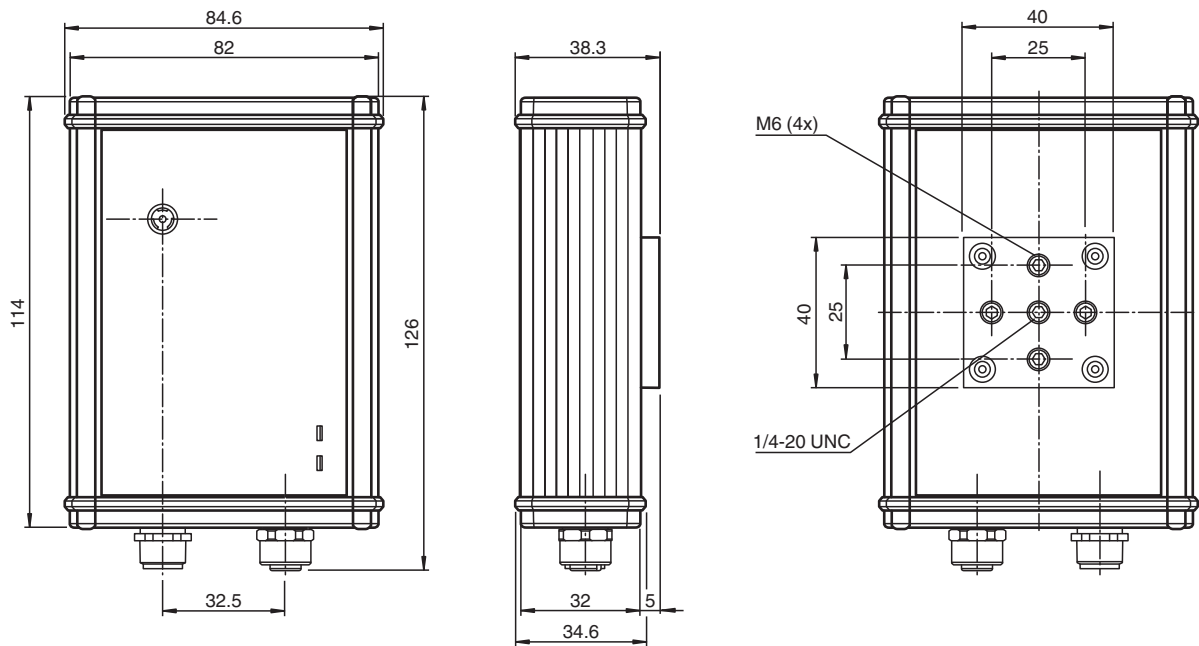
VOC10M-F256-B12-V1D-CR03

- Web interface for easy access to video files and live streams
- Video ring buffer with a pre-run buffer for automatic recording of video up to 60 seconds before and after a situation that requires fault analysis or documentation
- Trigger video/image capture via UDP, REST API, or a digital hardware input for easy integration
- Find situations of interest quickly due to timestamped events
- REST API for full HMI integration of all camera functions

Event camera for recording video sequences with Livestream function; mounting distance: 0.05 m to infinite; internal video ring buffer with a pre-run buffer for recording an event up to 60 seconds before and after a trigger event; trigger video/image capture via UDP, HTTP REST API, or a digital hardware input



Dimensions



Technical Data

General specifications

Depth of focus	0.05 m ... infinite
Field of view	see table
Horizontal angle of view	62.2 °
Vertical angle of view	48.8 °
Filter	IR-filter

Nominal ratings

Camera	
Type	CMOS

Release date: 2023-06-21 Date of issue: 2023-06-21 Filename: 70140280_eng.pdf

Refer to "General Notes Relating to Pepperl+Fuchs Product Information".

Pepperl+Fuchs Group
www.pepperl-fuchs.com

USA: +1 330 486 0001
fa-info@us.pepperl-fuchs.com

Germany: +49 621 776 1111
fa-info@de.pepperl-fuchs.com

Singapore: +65 6779 9091
fa-info@sg.pepperl-fuchs.com

PF PEPPERL+FUCHS

Technical Data

Shutter	Rolling shutter	
Image resolution	resolution: 1280 x 720 (HD), 1024 x 576, 960 x 540, 800 x 450, 640 x 360	
Hardware		
Camera	Motorized focus (adjustable via software)	
Memory		
Type/Size	storage capacity of events , up to 10000 events	
Non-volatile memory	8 GByte microSD card, industrial, class 10 U1	
Electrical specifications		
Operating voltage	U _B	18 ... 28 V DC
Current consumption	max. 200 mA (no heater) max. 700 mA (with heater)	
Interface		
Interface type	10 BASE-T/100 BASE-TX	
Protocol	TCP/IP , HTTP , FTP , RTSP	
Transfer rate	10 MBit/s / 100 MBit/s	
IP address	DHCP activated , Fall back IP (192.168.100.50)	
Input		
Signal voltage		
High	16 ... 32 V DC	
Low	0 ... 5 V DC	
Input current	max. 7 mA	
Trigger input	positive edge	
Pulse duration	min. 20 ms	
Input filter	min. 1.5 ms	
Directive conformity		
Electromagnetic compatibility	EN 61326-1:2013	
Radio equipment		
Directive 2014/53/EU	ETSI EN 300330 V2.1.1	
Playback formats		
Video	<p>Video Livestream:</p> <ul style="list-style-type: none"> - Codec/Container: MJPEG - frame rate: 24 fps - resolution: 1280 x 720 (HD), 1024 x 576, 960 x 540, 800 x 450, 640 x 360 <p>RTSP stream 1:</p> <ul style="list-style-type: none"> - Codec/Container: H264/RTSP - frame rate: 3 fps - resolution: 1280 x 720 (HD), 1024 x 576, 960 x 540, 800 x 450, 640 x 360 <p>RTSP stream 2:</p> <ul style="list-style-type: none"> - Codec/Container: H264/RTSP - frame rate: 3 fps - resolution: 640 x 360 <p>Video Recording:</p> <ul style="list-style-type: none"> - Codec/Container: H264/MP4, adjustable quality - frame rate: 24 fps - resolution: 1920 x 1080 (Full HD), 1280 x 720 (HD), 1024 x 576, 960 x 540, 800 x 450, 640 x 360 	
Ambient conditions		
Operating temperature	-30 ... 50 °C (-22 ... 122 °F)	
Storage temperature	-30 ... 50 °C (-22 ... 122 °F)	
Relative humidity	non-condensing	
Mechanical specifications		
Housing width	85 mm	
Housing height	114 mm	
Housing depth	35 mm	
Degree of protection	IP65	
Connection	M12 x 1 connector, 4-pin, A-coded , unshielded (supply and digital input) M12 x 1 socket, 4-pin, D-coded , screened (Ethernet)	
Material		
Housing	Aluminum (AlMgSi0.5)	
Surface	black , powder coated	

Release date: 2023-06-21 Date of issue: 2023-06-21 Filename: 70140280_eng.pdf

Refer to "General Notes Relating to Pepperl+Fuchs Product Information".

 Pepperl+Fuchs Group
www.pepperl-fuchs.com

 USA: +1 330 486 0001
fa-info@us.pepperl-fuchs.com

 Germany: +49 621 776 1111
fa-info@de.pepperl-fuchs.com

 Singapore: +65 6779 9091
fa-info@sg.pepperl-fuchs.com

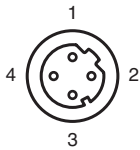
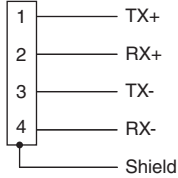
 **PEPPERL+FUCHS**

Technical Data

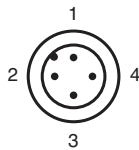
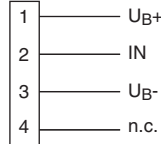
Observation window	glass, fully bonded
Mass	0.3 kg
Mounting	4x M6 1x ¼-20 UNC

Connection

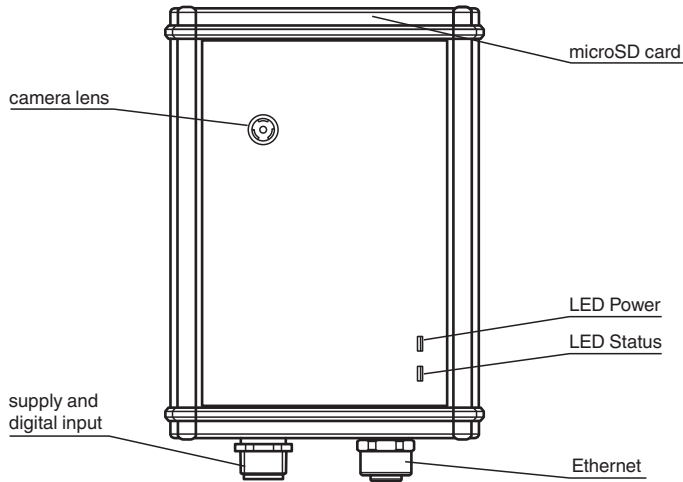
Ethernet



supply and digital Input



Assembly




Technical Features

Size of the Field of View

Distance	Orientation 0° / 180°	Orientation 90° / 270°
0.5 m	0.6 m x 0.3 m	0.5 m x 0.3 m
1.0 m	1.2 m x 0.7 m	0.9 m x 0.5 m
2.5 m	3.0 m x 1.7 m	2.3 m x 1.3 m
5.0 m	6.0 m x 3.4 m	4.5 m x 2.6 m
10.0 m	12.1 m x 6.8 m	9.1 m x 5.1 m



Accessories

	V1SD-G-GN2M-PUR-E1S-V45-G	Ethernet bus cable M12 plug straight D-coded to RJ45 Ethernet-coded, 4-pin, PUR cable green, Cat5e, shielded, drag chain suitable
-------------------------------------------------------------------------------------	----------------------------------	-----------------------------------------------------------------------------------------------------------------------------------

Release date: 2023-06-21 Date of issue: 2023-06-21 Filename: 70140280_eng.pdf

Refer to "General Notes Relating to Pepperl+Fuchs Product Information".

Accessories

	<p>V1-G-2M-PUR</p>	<p>Female cordset single-ended M12 straight A-coded, 4-pin, PUR cable grey</p>
	<p>PCV-MB1</p>	<p>Mounting bracket for PCV* read head</p>

Release date: 2023-06-21 Date of issue: 2023-06-21 Filename: 70140280_eng.pdf

Refer to "General Notes Relating to Pepperl+Fuchs Product Information".

Pepperl+Fuchs Group
www.pepperl-fuchs.com

USA: +1 330 486 0001
fa-info@us.pepperl-fuchs.com

Germany: +49 621 776 1111
fa-info@de.pepperl-fuchs.com

Singapore: +65 6779 9091
fa-info@sg.pepperl-fuchs.com