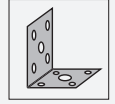


Mounting aid

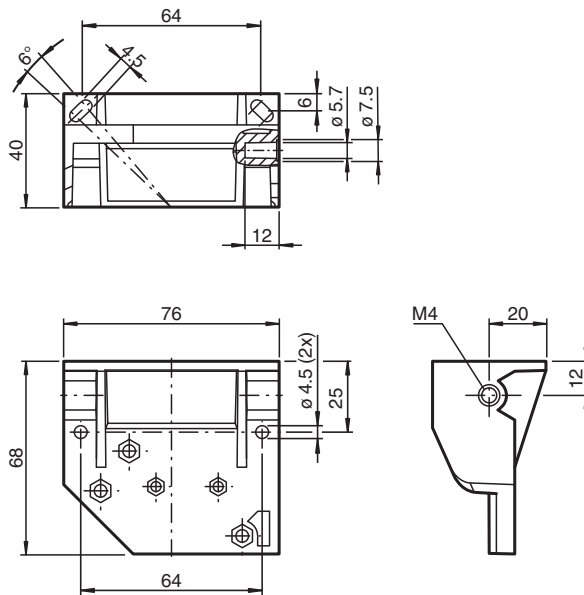
MH-R20x/F77-03



- Wide range of mounting options
- Mounting bracket with deviation mirror for stationary installations
- Particularly suitable for conveyor systems

Mounting aid

Dimensions



Technical Data

General specifications

Beam deviation angle	90 °
----------------------	------

Mechanical specifications

Height	40 mm
Depth	76 mm
Width	68 mm
Material	PA6-GB30 Deviation mirror: polystyrene mirrored
Mass	approx. 40 g
Note	Fixing screws included with delivery

Release date: 2023-12-05 Date of issue: 2023-12-05 Filename: 70143406_eng.pdf

Refer to "General Notes Relating to Pepperl+Fuchs Product Information".

Pepperl+Fuchs Group
www.pepperl-fuchs.com

USA: +1 330 486 0001
fa-info@us.pepperl-fuchs.com

Germany: +49 621 776 1111
fa-info@de.pepperl-fuchs.com

Singapore: +65 6779 9091
fa-info@sg.pepperl-fuchs.com

PF PEPPERL+FUCHS

Technical Data

Suitable series

Series	R200 , R201 , F77
--------	-------------------

Release date: 2023-12-05 Date of issue: 2023-12-05 Filename: 70143406_eng.pdf

Refer to "General Notes Relating to Pepperl+Fuchs Product Information".

Pepperl+Fuchs Group
www.pepperl-fuchs.com

USA: +1 330 486 0001
fa-info@us.pepperl-fuchs.com

Germany: +49 621 776 1111
fa-info@de.pepperl-fuchs.com

Singapore: +65 6779 9091
fa-info@sg.pepperl-fuchs.com