



Technical data

General specifications

Sensor range		4 mm ... 26 mm
Fiber optic length	l	2000 mm , adjustable
Fiber optic diameter	d	1.25 mm
Adapter form		00
End piece		Rectangular type
Bending radius		min. 15 mm
Fiber configuration	Fv	see dimensions
Angle of divergence		67 °
Accessories provided		Cutter for plastic fiber optics

Ambient conditions

Ambient temperature		-55 ... 70 °C (-67 ... 158 °F)
---------------------	--	--------------------------------

Mechanical specifications

Degree of protection		IP50
Material		
Optical face		plastic
Sheathing		PVC
Core		plastic
End piece		PC (Polycarbonate)

Model Number

KLR-C02-1,25-2,0-K128
 Plastic fiber optic - diffuse

Features

- Level indication

Series

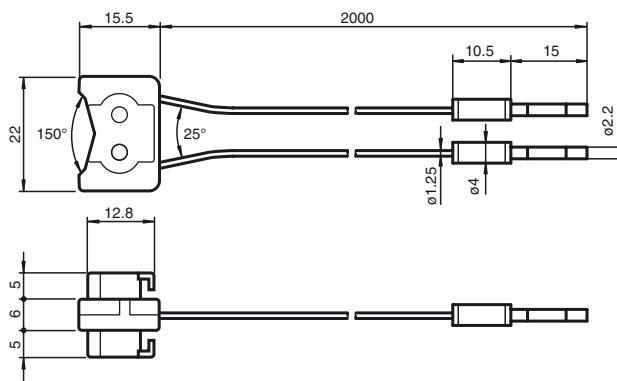
Fiber optic amplifiers
 Device series SU18 ; SU18/35 ; SU19

Description

Attention:
 Fiber optics must not be twisted or kinked. Excessive tensile loads will lead to destruction. Contact with petrol or organic solvents must be prevented.



Dimensions



Release date: 2014-07-09 15:54 Date of issue: 2014-07-09 805684_eng.xml