



Model Number

KLE-A32-2,8-2,0-K142

Plastic fiber optic - thru-beam

Features

- Wide sensing range

Series

Fiber optic amplifiers

Device series SU18 ; SU18/35 ; SU19 ; ML17-LL

Description

Attention:

Fiber optics must not be twisted or kinked. Excessive tensile loads will lead to destruction. Contact with petrol or organic solvents must be prevented.



Technical data

General specifications

Detection range		SU18: 35 mm SU18/35: 140 mm SU19: 35 mm
Fiber optic length	l	2000 mm , adjustable
Fiber optic diameter	d	2.2 mm
Adapter form		00
End piece		Array
Bending radius		min. 25 mm
Fiber configuration	Fv	see dimensions
Angle of divergence		67 °

Ambient conditions

Ambient temperature		-55 ... 70 °C (-67 ... 158 °F)
---------------------	--	--------------------------------

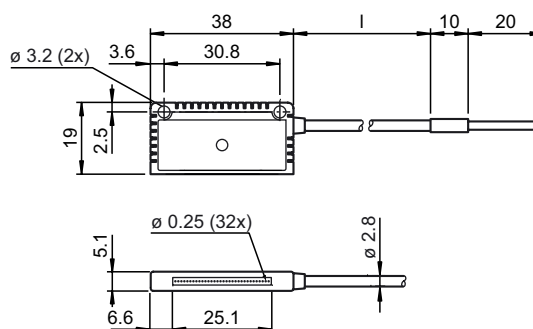
Mechanical specifications

Material		
Optical face		plastic
Sheathing		PVC
Core		plastic
End piece		plastic

General information

Scope of delivery		Fiber optic cables packaged in pairs
-------------------	--	--------------------------------------

Dimensions



Release date: 2015-01-20 12:37 Date of issue: 2015-01-20 806423_eng.xml

Refer to "General Notes Relating to Pepperl+Fuchs Product Information".

Pepperl+Fuchs Group
www.pepperl-fuchs.com

USA: +1 330 486 0001
fa-info@us.pepperl-fuchs.com

Germany: +49 621 776 4411
fa-info@de.pepperl-fuchs.com

Singapore: +65 6779 9091
fa-info@sg.pepperl-fuchs.com