

Probe tip adapter

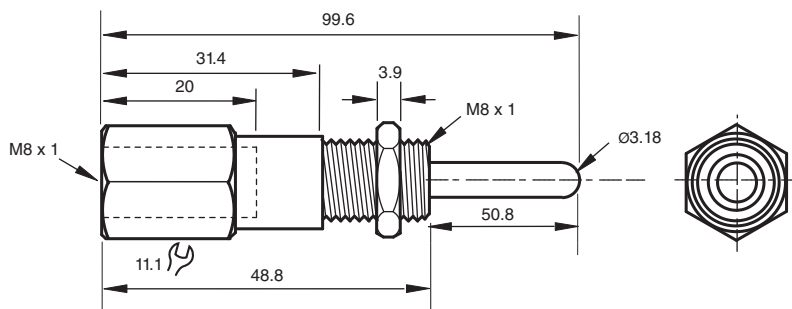
PTA-08-50



- For space-critical applications
- For 8 mm diameter sensors

Probe tip adapter

Dimensions



Technical Data

Mechanical specifications	
Material	Stainless steel
Note	Probe Travel For activation: 0.13 - 0.25 mm Maximum: 1.93 mm
General information	
Note	Use a 12mm sensor with a standard "shielded" sensing range (Sn=2mm) for best results.

Release date: 2022-03-18 Date of issue: 2022-03-18 Filename: 904110_eng.pdf