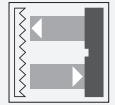




Retroreflective sensor

ML17-54/73/136

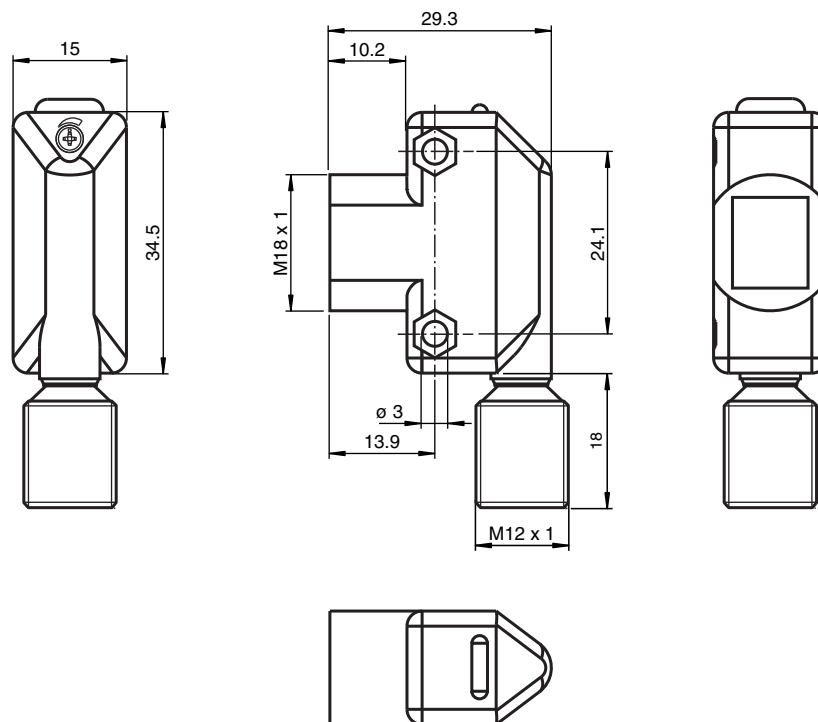


- Compact series in universal housing for standard applications
- Miniature design
- Front mounting with M18-threads or side mounting holes
- 360° high visibility LEDs
- Time-saving mounting with quick clamp system
- Version with polarized filters detect shiny objects
- 4-in-1 output (push-pull)

Retroreflective sensor with polarization filter



Dimensions



Technical Data

General specifications

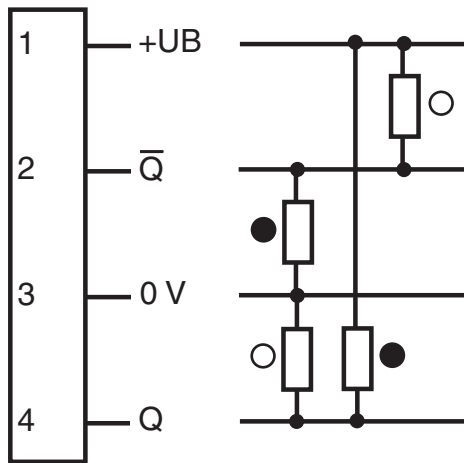
Effective detection range	0 ... 3.5 m
Reflector distance	50 ... 3500 mm
Threshold detection range	5 m
Reference target	FE-RR1 reflector

Technical Data

Light source	LED	
Light type	modulated visible red light , 626 nm	
Polarization filter	yes	
Ambient light limit	≤ 10000 Lux	
Indicators/operating means		
Operation indicator	LED green	
Function indicator	LED yellow, lights up with receiver lit	
Control elements	sensitivity adjustment	
Electrical specifications		
Operating voltage	U _B	10 ... 30 V DC , class 2
Ripple	max. 10 %	
No-load supply current	I ₀	< 25 mA
Operating current	I _B	100 mA max per output
Time delay before availability	t _v	≤ 200 ms
Output		
Switching type	light/dark on	
Signal output	2 push-pull (4 in 1) outputs, short-circuit protected, reverse polarity protected, overvoltage protected	
Switching voltage	max. 30 V DC	
Switching current	max. 100 mA	
Voltage drop	U _d	≤ 2 V DC
Switching frequency	f	500 Hz
Response time	≤ 1 ms	
Conformity		
Product standard	EN 60947-5-2	
Approvals and certificates		
EAC conformity	TR CU 020/2011	
UL approval	cULus	
CCC approval	CCC approval / marking not required for products rated ≤36 V	
Ambient conditions		
Ambient temperature	-20 ... 55 °C (-4 ... 131 °F)	
Storage temperature	-20 ... 70 °C (-4 ... 158 °F)	
Mechanical specifications		
Housing width	15 mm	
Housing height	34.5 mm	
Degree of protection	IP67	
Connection	4-pin, M12 x 1 connector	
Material		
Housing	ABS	
Optical face	Acrylic	
Mass	approx. 8.5 g	

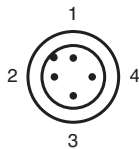
Release date: 2022-03-30 Date of issue: 2022-03-30 Filename: 905779_eng.pdf

Connection



○ = Light on
● = Dark on

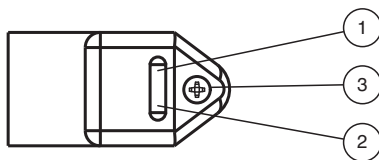
Connection Assignment



Wire colors in accordance with EN 60947-5-2

- | | | |
|---|----|---------|
| 1 | BN | (brown) |
| 2 | WH | (white) |
| 3 | BU | (blue) |
| 4 | BK | (black) |

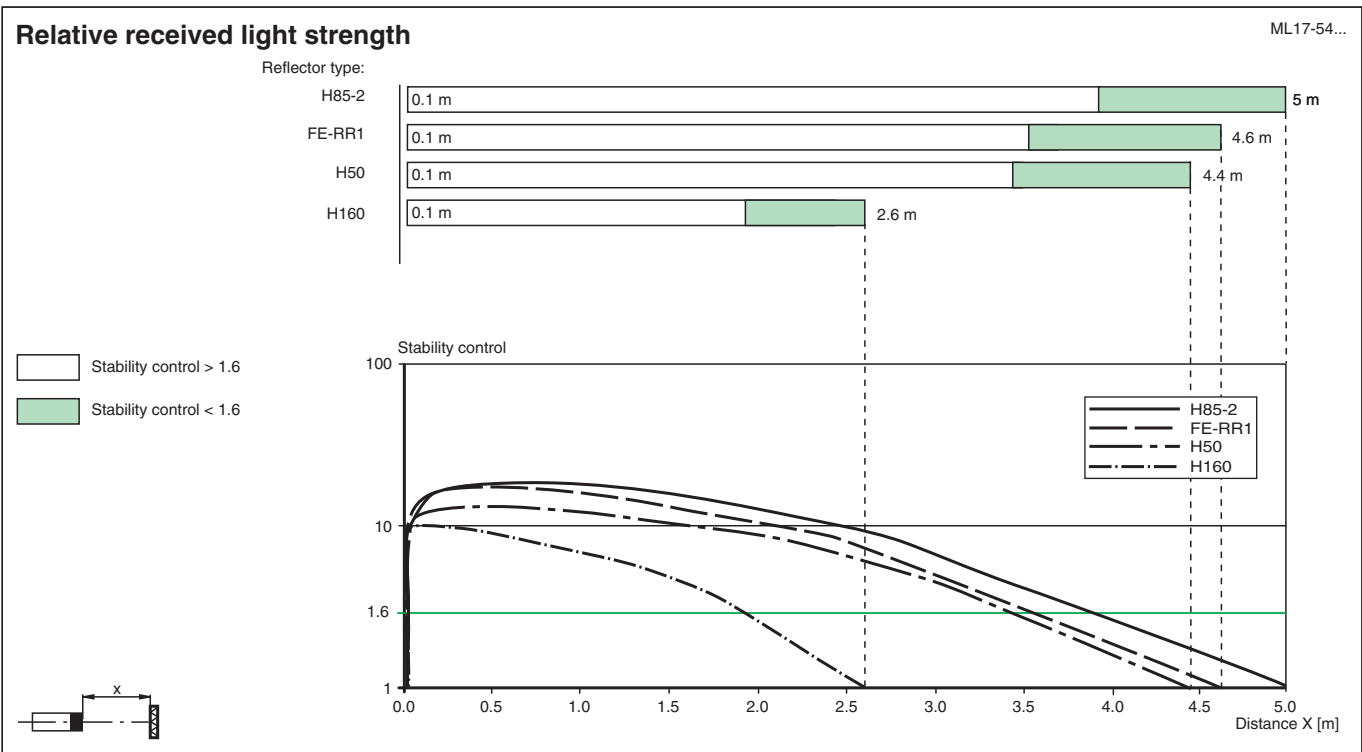
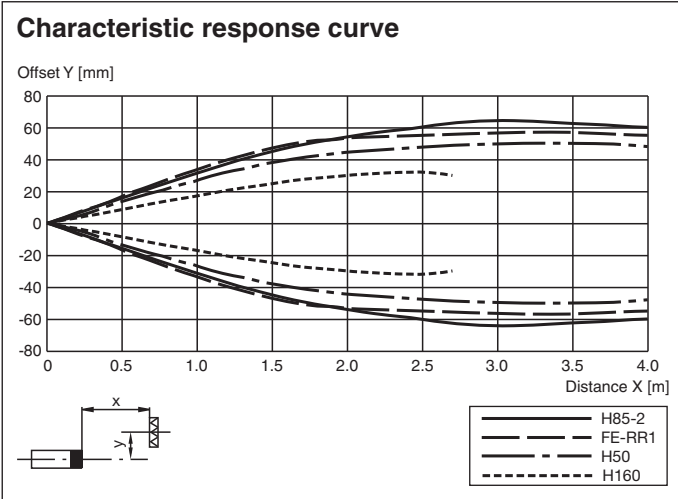
Assembly



1	Signal display	yellow
2	Operating display	green
3	Sensitivity adjustment	

Release date: 2022-03-30 Date of issue: 2022-03-30 Filename: 905779_eng.pdf

Characteristic Curve



Accessories

	OMH-ML17	Mounting bracket
	OMH-ML17-1	Mounting bracket
	V1-G-2M-PUR	Female cordset single-ended M12 straight A-coded, 4-pin, PUR cable grey
	V1-W-2M-PUR	Female cordset single-ended M12 angled A-coded, 4-pin, PUR cable grey

Release date: 2022-03-30 Date of issue: 2022-03-30 Filename: 905779_eng.pdf

Refer to "General Notes Relating to Pepperl+Fuchs Product Information".