

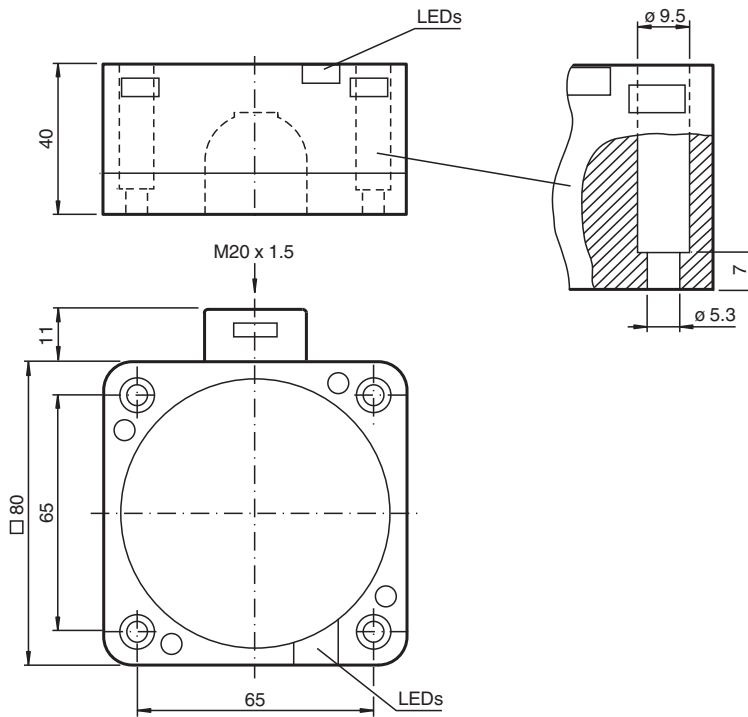


# Inductive sensor NCN50-FP-Z2-P4

- 50 mm non-flush
- 2-wire DC
- Surface mount



## Dimensions



## Technical Data

### General specifications

Switching function		Normally open/closed (NO/NC)
Output type		Two-wire
Rated operating distance	$s_n$	50 mm
Installation		non-flush
Output polarity		DC
Assured operating distance	$s_a$	0 ... 40.5 mm
Actual operating distance	$s_r$	45 ... 55 mm typ.
Reduction factor $r_{AI}$		0.4
Reduction factor $r_{Cu}$		0.35

Release date: 2023-12-13 Date of issue: 2023-12-13 Filename: 906229\_eng.pdf

Refer to "General Notes Relating to Pepperl+Fuchs Product Information".

Pepperl+Fuchs Group  
www.pepperl-fuchs.com

USA: +1 330 486 0001  
fa-info@us.pepperl-fuchs.com

Germany: +49 621 776 1111  
fa-info@de.pepperl-fuchs.com

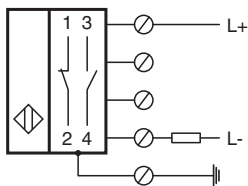
Singapore: +65 6779 9091  
fa-info@sg.pepperl-fuchs.com

**PF** PEPPERL+FUCHS

## Technical Data

Reduction factor $r_{304}$		0.8
Output type		2-wire
<b>Nominal ratings</b>		
Operating voltage	$U_B$	10 ... 60 V
Switching frequency	$f$	0 ... 80 Hz
Hysteresis	$H$	0 ... 20 typ. 5 %
Reverse polarity protection		reverse polarity tolerant
Short-circuit protection		pulsing
Voltage drop	$U_d$	$\leq 6$ V
Operating current	$I_L$	2 ... 200 mA
Off-state current	$I_r$	0.4 ... 1 mA typ. 0.6 mA
Time delay before availability	$t_v$	$\leq 300$ ms
Switching state indicator		LED, yellow
<b>Compliance with standards and directives</b>		
Standard conformity		
Standards		EN 60947-5-2:2007 EN 60947-5-2/A1:2012 IEC 60947-5-2:2007 IEC 60947-5-2 AMD 1:2012
<b>Approvals and certificates</b>		
UL approval		cULus Listed, General Purpose
CCC approval		CCC approval / marking not required for products rated $\leq 36$ V
<b>Ambient conditions</b>		
Ambient temperature		-25 ... 70 °C (-13 ... 158 °F)
Storage temperature		-25 ... 85 °C (-13 ... 185 °F)
<b>Mechanical specifications</b>		
Connection type		screw terminals
Core cross section		up to 2.5 mm <sup>2</sup>
Housing material		PBT/metal
Sensing face		PBT
Degree of protection		IP67
Tightening torque, housing screws		1 Nm

## Connection



Release date: 2023-12-13 Date of issue: 2023-12-13 Filename: 906229\_eng.pdf

Refer to "General Notes Relating to Pepperl+Fuchs Product Information".

Pepperl+Fuchs Group  
www.pepperl-fuchs.com

USA: +1 330 486 0001  
fa-info@us.pepperl-fuchs.com

Germany: +49 621 776 1111  
fa-info@de.pepperl-fuchs.com

Singapore: +65 6779 9091  
fa-info@sg.pepperl-fuchs.com

**PF** PEPPERL+FUCHS