

Inductive sensor

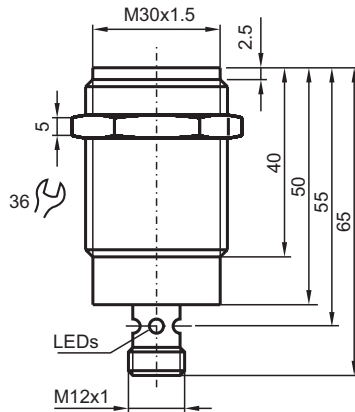
NMB8-30GM65-E2-NFE-V1



- Stainless steel sensing face
- Sensing range 8 mm
- 3-wire DC
- Nonferrous targets



Dimensions



Technical Data

General specifications

Switching function	Normally open (NO)
Output type	PNP

Release date: 2024-01-16 Date of issue: 2024-01-16 Filename: 908457_eng.pdf

Refer to "General Notes Relating to Pepperl+Fuchs Product Information".

Pepperl+Fuchs Group
www.pepperl-fuchs.com

USA: +1 330 486 0001
fa-info@us.pepperl-fuchs.com

Germany: +49 621 776 1111
fa-info@de.pepperl-fuchs.com

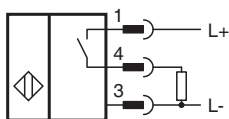
Singapore: +65 6779 9091
fa-info@sg.pepperl-fuchs.com

PEPPERL+FUCHS

Technical Data

Rated operating distance	s_n	8 mm
Installation		flush
Output polarity		DC
Assured operating distance	s_a	0 ... 6.48 mm
Actuating element		Nonferrous targets
Reduction factor r_{Al}		1
Reduction factor r_{Cu}		1.1
Reduction factor r_{304}		0
Reduction factor r_{316Ti}		0
Reduction factor r_{St37}		0
Reduction factor r_{Brass}		0.9
Output type		3-wire
Nominal ratings		
Operating voltage	U_B	10 ... 30 V DC
Switching frequency	f	10 Hz
Hysteresis	H	3 ... 15 typ. 5 %
Reverse polarity protection		yes
Short-circuit protection		yes
Voltage drop	U_d	≤ 2 V
Operating current	I_L	≤ 200 mA
Current consumption		< 14 mA
Off-state current	I_r	≤ 10 μ A
Indicators/operating means		
Operation indicator		4-way dual LED Green: power Yellow: output
Compliance with standards and directives		
Standard conformity		
Standards		EN 60947-5-2:2007 IEC 60947-5-2:2007
Approvals and certificates		
UL approval		cULus Listed, General Purpose
CCC approval		CCC approval / marking not required for products rated ≤ 36 V
Ambient conditions		
Ambient temperature		-40 ... 70 °C (-40 ... 158 °F)
Mechanical specifications		
Connection type		V1 connector (M12 x 1), 4-pin
Housing material		Stainless steel 1.4305 / AISI 303
Sensing face		Stainless steel 1.4305 / AISI 303
Degree of protection		IP67 / IP68 / IP69K - cordset dependent according to cable specification
Dimensions		
Length		65 mm
Diameter		30 mm

Connection



Connection Assignment



Wire colors in accordance with EN 60947-5-2

1	BN	(brown)
2	WH	(white)
3	BU	(blue)
4	BK	(black)

Release date: 2024-01-16 Date of issue: 2024-01-16 Filename: 908457_eng.pdf

Refer to "General Notes Relating to Pepperl+Fuchs Product Information".

Pepperl+Fuchs Group
www.pepperl-fuchs.com

USA: +1 330 486 0001
fa-info@us.pepperl-fuchs.com

Germany: +49 621 776 1111
fa-info@de.pepperl-fuchs.com

Singapore: +65 6779 9091
fa-info@sg.pepperl-fuchs.com