



## Retroreflective sensor

### ML17-54/115b/120

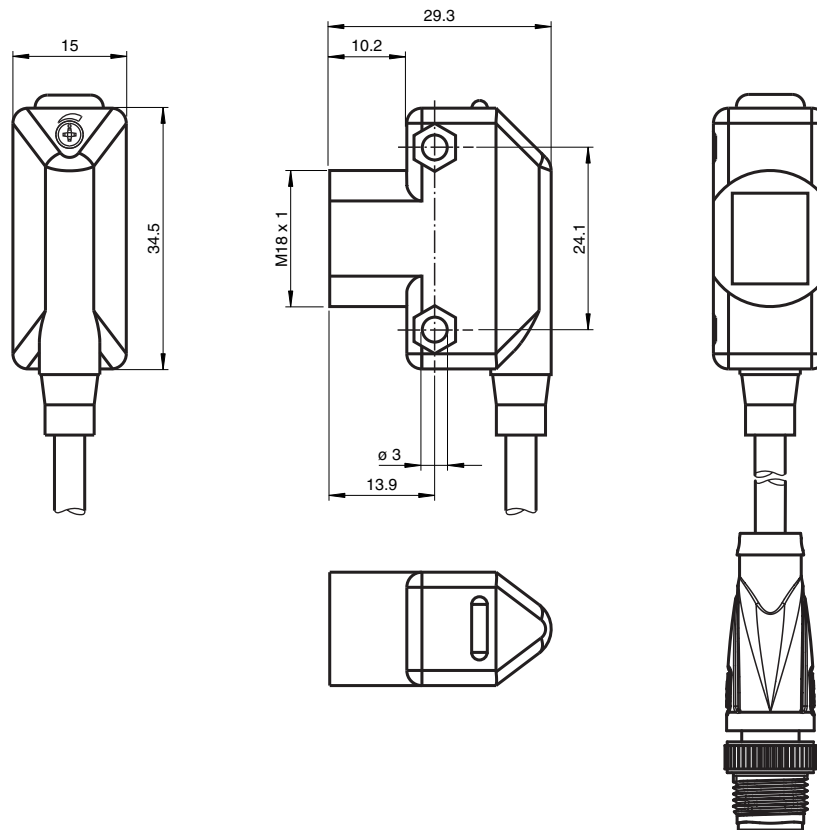


- Compact series in universal housing for standard applications
- Miniature design
- Front mounting with M18-threads or side mounting holes
- 360° high visibility LEDs
- Time-saving mounting with quick clamp system
- Version with polarized filters detect shiny objects

Retroreflective sensor with polarization filter



## Dimensions



## Technical Data

### General specifications

Effective detection range	0 ... 3.5 m
Reflector distance	50 ... 3500 mm
Threshold detection range	5 m
Reference target	FE-RR1 reflector

Release date: 2022-03-30 Date of issue: 2022-03-30 Filename: 908631\_eng.pdf

Refer to "General Notes Relating to Pepperl+Fuchs Product Information".

Pepperl+Fuchs Group  
www.pepperl-fuchs.com

USA: +1 330 486 0001  
fa-info@us.pepperl-fuchs.com

Germany: +49 621 776 1111  
fa-info@de.pepperl-fuchs.com

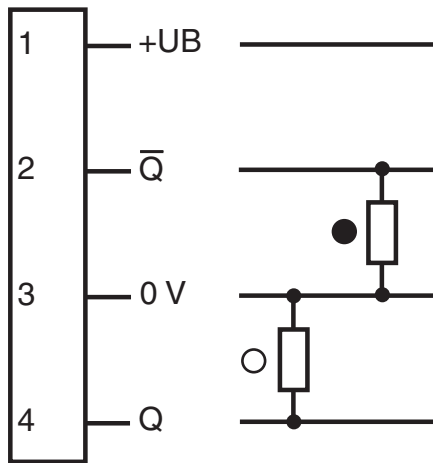
Singapore: +65 6779 9091  
fa-info@sg.pepperl-fuchs.com

**PF** PEPPERL+FUCHS

## Technical Data

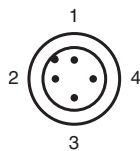
Light source	LED	
Light type	modulated visible red light , 626 nm	
Polarization filter	yes	
Ambient light limit	≤ 10000 Lux	
<b>Indicators/operating means</b>		
Operation indicator	LED green	
Function indicator	LED yellow, lights up with receiver lit	
Control elements	sensitivity adjustment	
<b>Electrical specifications</b>		
Operating voltage	$U_B$	10 ... 30 V DC , class 2
Ripple	max. 10 %	
No-load supply current	$I_0$	< 25 mA
Operating current	$I_B$	100 mA max per output
Time delay before availability	$t_v$	≤ 200 ms
<b>Output</b>		
Switching type	light/dark on	
Signal output	2 PNP, short-circuit protected, reverse polarity protected , open collectors	
Switching voltage	max. 30 V DC	
Switching current	max. 100 mA	
Voltage drop	$U_d$	≤ 2 V DC
Switching frequency	$f$	500 Hz
Response time	≤ 1 ms	
<b>Conformity</b>		
Product standard	EN 60947-5-2	
<b>Approvals and certificates</b>		
EAC conformity	TR CU 020/2011	
UL approval	cULus	
CCC approval	CCC approval / marking not required for products rated ≤36 V	
<b>Ambient conditions</b>		
Ambient temperature	-20 ... 55 °C (-4 ... 131 °F)	
Storage temperature	-20 ... 70 °C (-4 ... 158 °F)	
<b>Mechanical specifications</b>		
Housing width	15 mm	
Housing height	34.5 mm	
Degree of protection	IP67	
Connection	fixed cable 150 mm with M12 x 1 male connector, 4 pin	
<b>Material</b>		
Housing	ABS	
Optical face	Acrylic	
Mass	approx. 23 g	

**Connection**



○ = Light on  
● = Dark on

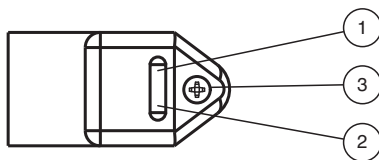
**Connection Assignment**



Wire colors in accordance with EN 60947-5-2

- 1 | BN (brown)
- 2 | WH (white)
- 3 | BU (blue)
- 4 | BK (black)

**Assembly**

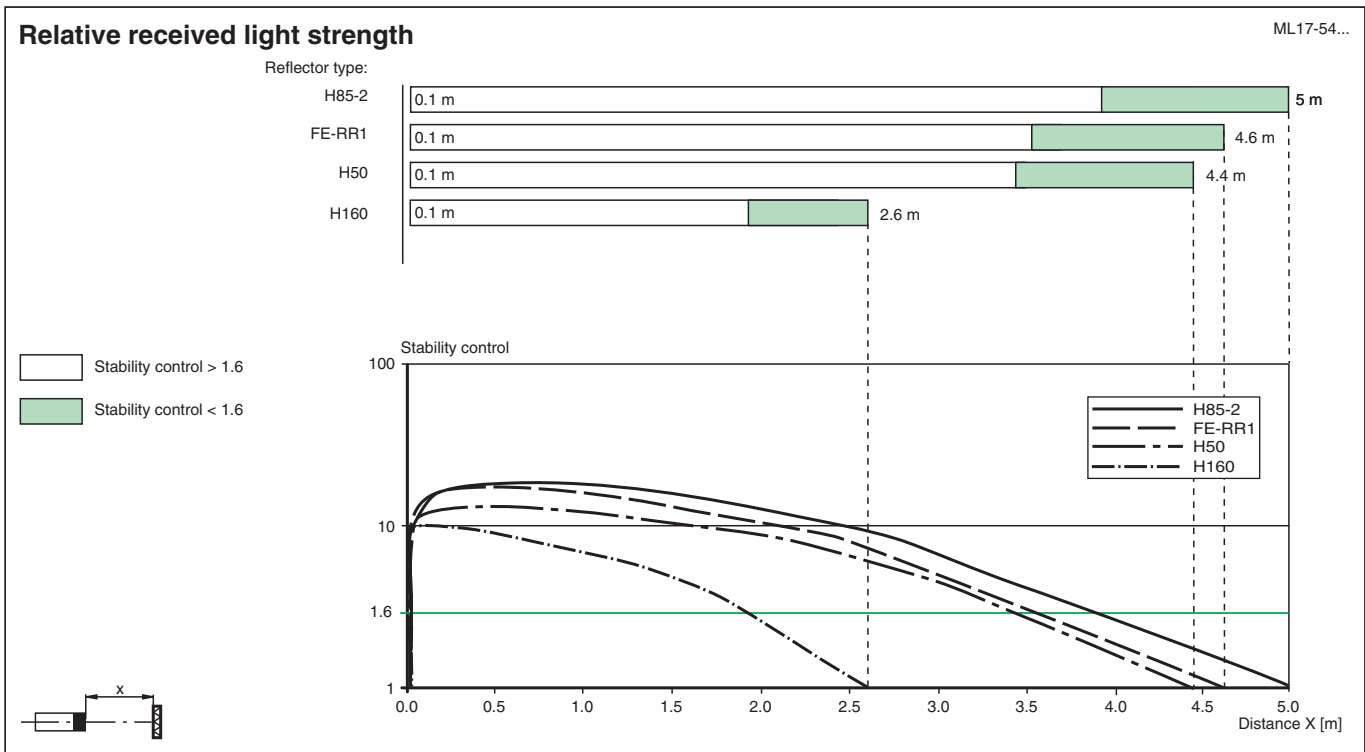
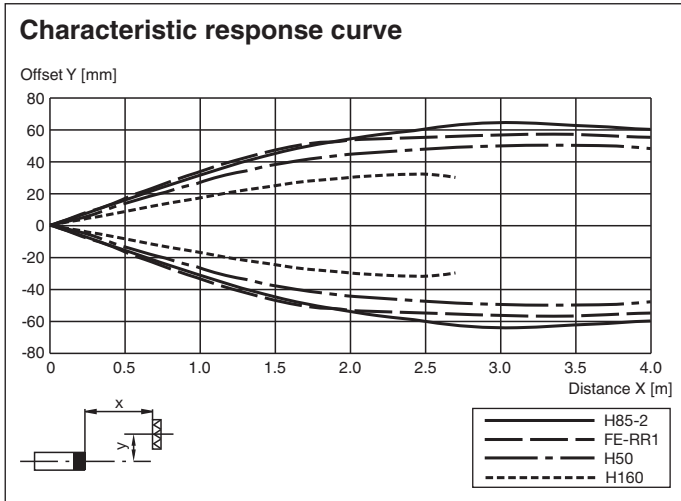


1	Signal display	yellow
2	Operating display	green
3	Sensitivity adjustment	

Release date: 2022-03-30 Date of issue: 2022-03-30 Filename: 908631\_eng.pdf

Refer to "General Notes Relating to Pepperl+Fuchs Product Information".

**Characteristic Curve**



**Accessories**

	<b>OMH-ML17</b>	Mounting bracket
	<b>OMH-ML17-1</b>	Mounting bracket

Release date: 2022-03-30 Date of issue: 2022-03-30 Filename: 908631\_eng.pdf