



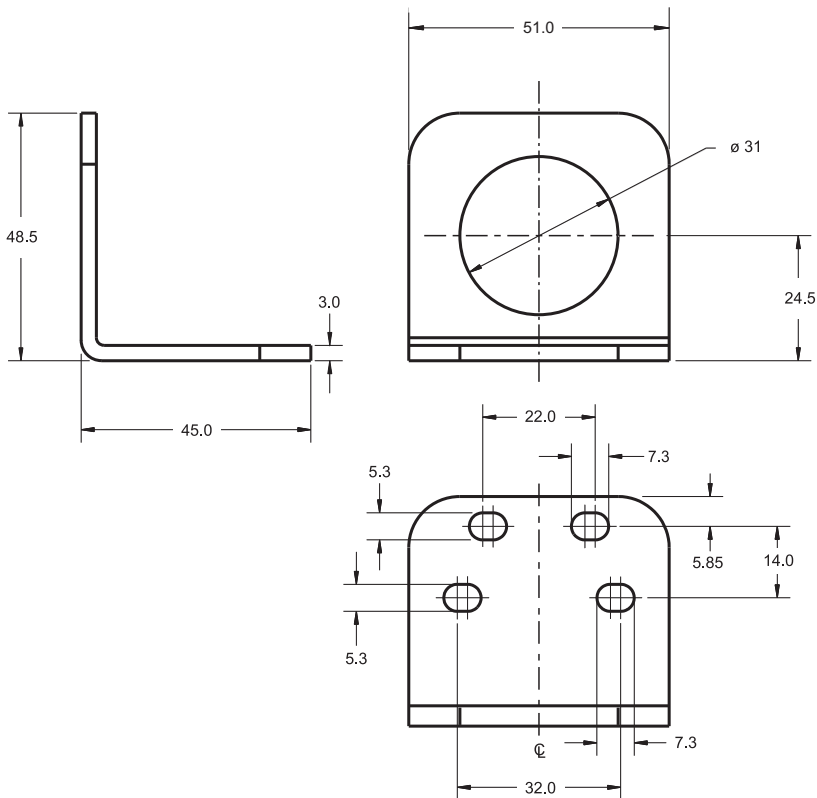
# Mounting bracket

## AB-30-L3M-C

■ Cylindrical/Rhino conversion bracket

Mounting aid

### Dimensions



### Technical Data

#### Mechanical specifications

Material

Stainless steel, PTFE coated

Release date: 2021-12-03 Date of issue: 2021-12-03 Filename: 9111421\_eng.pdf

Refer to "General Notes Relating to Pepperl+Fuchs Product Information".

Pepperl+Fuchs Group  
www.pepperl-fuchs.com

USA: +1 330 486 0001  
fa-info@us.pepperl-fuchs.com

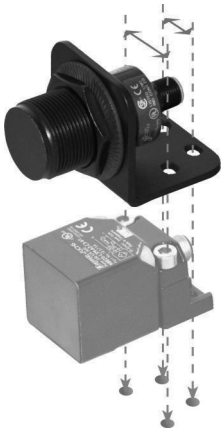
Germany: +49 621 776 1111  
fa-info@de.pepperl-fuchs.com

Singapore: +65 6779 9091  
fa-info@sg.pepperl-fuchs.com

**PF** PEPPERL+FUCHS

## Application

Right angle mounting bracket converts 30mm diameter, 100% stainless steel sensing face sensors to the "Rhino" surface mount footprint.



Release date: 2021-12-03 Date of issue: 2021-12-03 Filename: 911421\_eng.pdf

Refer to "General Notes Relating to Pepperl+Fuchs Product Information".

Pepperl+Fuchs Group  
www.pepperl-fuchs.com

USA: +1 330 486 0001  
fa-info@us.pepperl-fuchs.com

Germany: +49 621 776 1111  
fa-info@de.pepperl-fuchs.com

Singapore: +65 6779 9091  
fa-info@sg.pepperl-fuchs.com

 **PEPPERL+FUCHS**