

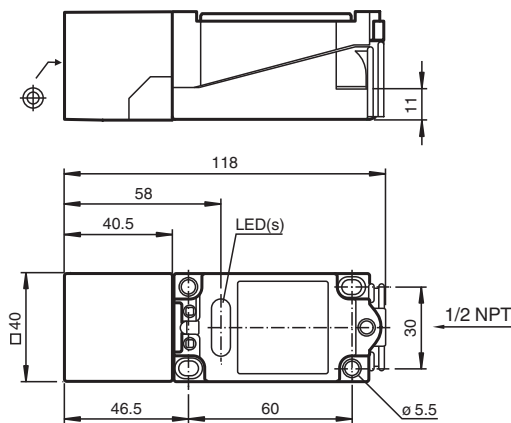


Inductive sensor NJ20+U4+W

- 20 mm non-flush
- 2-wire AC
- Limit switch style housing
- Metal base 1/2" NPT



Dimensions



Technical Data

General specifications

Switching function		Normally open/closed (NO/NC)
Output type		Two-wire
Rated operating distance	s_n	20 mm
Installation		non-flush
Output polarity		AC
Assured operating distance	s_a	0 ... 16.2 mm
Actual operating distance	s_r	18 ... 22 mm typ. 20 mm
Reduction factor r_{Al}		0.35
Reduction factor r_{Cu}		0.35
Reduction factor r_{304}		0.8
Output type		2-wire

Nominal ratings

Operating voltage AC	U_B	20 ... 253 V ¹⁾
Switching frequency	f	0 ... 20 Hz
Hysteresis	H	1 ... 10 typ. 5 %
Voltage drop	U_d	≤ 5 V

Release date: 2020-12-10 Date of issue: 2020-12-10 Filename: 015740_eng.pdf

Refer to "General Notes Relating to Pepperl+Fuchs Product Information".

Pepperl+Fuchs Group
www.pepperl-fuchs.com

USA: +1 330 486 0001
fa-info@us.pepperl-fuchs.com

Germany: +49 621 776 1111
fa-info@de.pepperl-fuchs.com

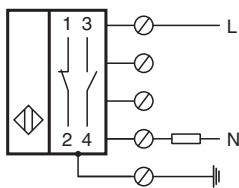
Singapore: +65 6779 9091
fa-info@sg.pepperl-fuchs.com

PF PEPPERL+FUCHS

Technical Data

Momentary current (20 ms, 0.1 Hz)		0 ... 3000 mA
Operating current	I_L	8 ... 500 mA
Off-state current	I_r	0.5 ... 1.95 mA typ. 1.2 mA
Off-state current U_B 24 V, switching element off	I_r	0.5 ... 1.7 mA typ. 1.2 μ A
Operating voltage indicator		LED, green
Switching state indicator		LED, yellow
Functional safety related parameters		
MTTF _d		810 a
Mission Time (T_M)		20 a
Diagnostic Coverage (DC)		0 %
Compliance with standards and directives		
Standard conformity		
Standards		EN 60947-5-2:2007 IEC 60947-5-2:2007
Approvals and certificates		
UL approval		cULus Listed, General Purpose
CSA approval		cCSAus Listed, General Purpose
CCC approval		Certified by China Compulsory Certification (CCC)
Ambient conditions		
Ambient temperature		-25 ... 70 °C (-13 ... 158 °F)
Storage temperature		-25 ... 85 °C (-13 ... 185 °F)
Mechanical specifications		
Connection type		screw terminals
Core cross-section		max. 2.5 mm ²
Housing material		PBT/base of metal
Sensing face		PBT
Degree of protection		IP68
Note		1) In the temperature range below 0 °C, permissible operating voltage U_b 80...253 V Safety fuse \leq 2 A (quick-blow) according to IEC 60127-2 Sheet 1 Recommendation: after a short circuit, check that the device is functioning correctly.

Connection



Accessories

	MHW 01	Modular mounting bracket
---	---------------	--------------------------