



Model Number

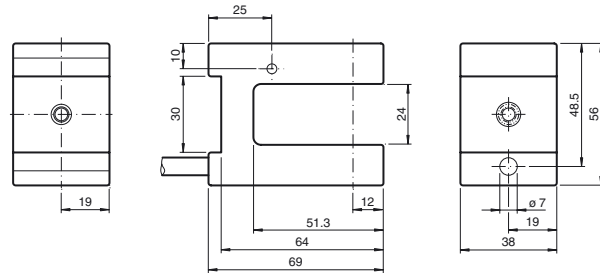
GL-ES-IR-5800/115/120

Photoelectric slot sensor

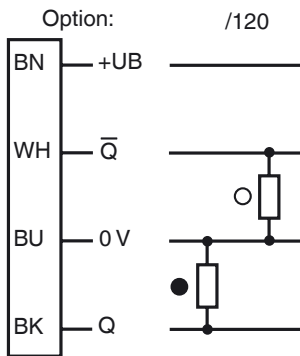
Features

- Infrared light source
- Not sensitive to ambient light
- High switching frequency
- Robust and insensitive to ambient interference
- Tolerant to supply voltage variations up to 60 V DC

Dimensions

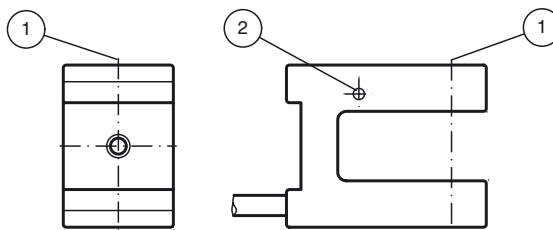


Electrical connection



○ = Light on
● = Dark on

Indicators/operating means



1	Optical axis	
2	Signal display	red

Release date: 2012-11-14 16:13 Date of issue: 2012-11-14 253073_eng.xml

Technical data**General specifications**

Sensing range	0 ... 24 mm
Light source	LED
Light type	infrared , 950 nm
Tests	EN 60947-5-2
Marking	CE
Fork width	24 mm
Ambient light limit	halogen light 100000 Lux ; according to EN 60947-5-2:2007

Indicators/operating means

Operating display	LED red
-------------------	---------

Electrical specifications

Operating voltage	U_B	10 ... 30 V DC
Ripple		10 %
No-load supply current	I_0	≤ 25 mA
Time delay before availability	t_v	≤ 10 ms

Output

Switching type	light/dark on
Signal output	2 PNP complementary , Reverse polarity protection , open collectors
Switching voltage	max. 30 V DC
Switching current	max. 100 mA
Voltage drop	U_d ≤ 2 V
Switching frequency	f 100 Hz
Response time	5 ms

Ambient conditions

Ambient temperature	-25 ... 55 °C (-13 ... 131 °F)
Storage temperature	-30 ... 70 °C (-22 ... 158 °F)

Mechanical specifications

Protection degree	IP67
Connection	3.5 m fixed cable
Material	
Housing	PPO
Optical face	PC

Compliance with standards and directives

Standard conformity	
Product standard	EN 60947-5-2:2007 IEC 60947-5-2:2007