

# Inductive sensor

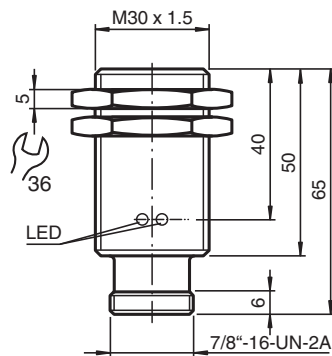
## NBB10-30GM50-WS-V93



- Basic series
- 10 mm flush
- 2-wire AC



### Dimensions



### Technical Data

General specifications		
Switching function		Normally open (NO)
Output type		Two-wire
Rated operating distance	$s_n$	10 mm
Installation		flush
Output polarity		AC
Assured operating distance	$s_a$	0 ... 8.1 mm
Actual operating distance	$s_r$	9 ... 11 mm
Reduction factor $r_{AI}$		0.33
Reduction factor $r_{Cu}$		0.28
Reduction factor $r_{304}$		0.81
Output type		2-wire
Nominal ratings		
Operating voltage	$U_B$	20 ... 253 V
Switching frequency	$f$	0 ... 20 Hz
Hysteresis	$H$	typ. 5 %
Reverse polarity protection		reverse polarity tolerant

Release date: 2024-01-08 Date of issue: 2024-01-08 Filename: 801697\_eng.pdf

Refer to "General Notes Relating to Pepperl+Fuchs Product Information".

Pepperl+Fuchs Group  
www.pepperl-fuchs.com

USA: +1 330 486 0001  
fa-info@us.pepperl-fuchs.com

Germany: +49 621 776 1111  
fa-info@de.pepperl-fuchs.com

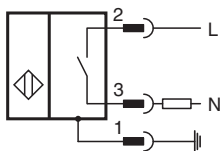
Singapore: +65 6779 9091  
fa-info@sg.pepperl-fuchs.com

**PF** PEPPERL+FUCHS

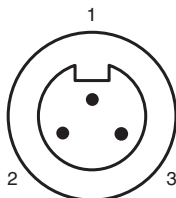
## Technical Data

Voltage drop	$U_d$	< 5 V ( $I_L > 50$ mA); < 8 V ( $I_L < 50$ mA)
Momentary current (20 ms, 0.1 Hz)		0 ... 1600 mA
Operating current	$I_L$	5 ... 200 mA
Off-state current	$I_r$	0 ... 1.7 mA
Operating voltage indicator		LED, green
Switching state indicator		LED, yellow
<b>Compliance with standards and directives</b>		
Standard conformity		
Standards		EN 60947-5-2:2007 IEC 60947-5-2:2007
<b>Approvals and certificates</b>		
UL approval		cULus Listed, General Purpose
CSA approval		cCSAus Listed, General Purpose
CCC approval		Certified by China Compulsory Certification (CCC)
<b>Ambient conditions</b>		
Ambient temperature		-25 ... 70 °C (-13 ... 158 °F)
<b>Mechanical specifications</b>		
Connection type		Connector plug 7/8 inch-16 UN , 3-pin
Housing material		brass, nickel-plated
Sensing face		PBT
Degree of protection		IP67
<b>Dimensions</b>		
Length		50 mm
Diameter		30 mm
Note		<sup>1)</sup> In the temperature range below 0 °C, permissible operating voltage $U_b$ 80...253 V Safety fuse $\leq 0.3$ A (quick-blow) according to IEC 60127-2 Sheet 1 Recommendation: after a short circuit, check that the device is functioning correctly.

## Connection



## Connection Assignment



## Connection Assignment

### Wire colors

1		GN	(green)
2		BK	(black)
3		WH	(white)