



Model Number

AIR20/PIR20 Weather Cap

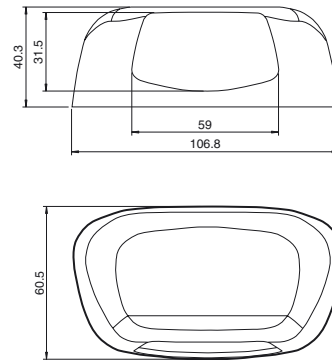
All-weather hood for AIR20 and PIR20 series sensors

Features

- Protection from adverse effects of weather such as rain, snow, etc.
- Suitable for use in accordance with IP54
- Simple mounting
- Installation without tools

Color: black

Dimensions



Technical data

Mechanical specifications

Material	black ABS
Mass	approx. 8 g
Dimensions	107 mm x 60 mm x 41 mm
Mounting	Mounting accessories included

Suitable series

Series	AIR20 PIR20
--------	-------------