



Model Number

PSE4-SC-01

Safety control unit

Safety control unit from the PSE4 series

Features

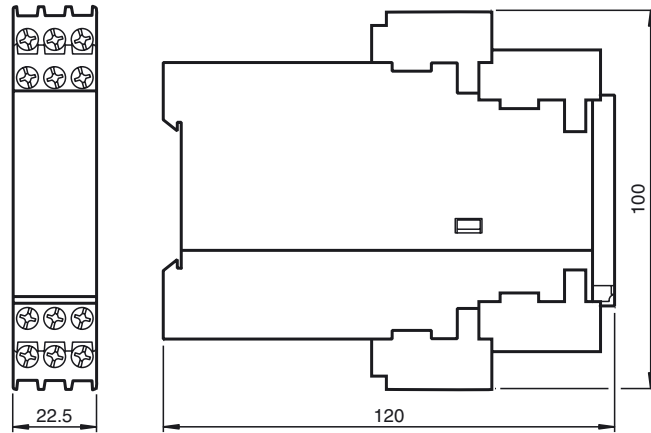
- Safety control unit
- For evaluating safety thru-beam sensors PSE4-SL
- Safety category 4 according to EN61496-1
- 24 V DC supply voltage
- 2 safe output contacts
- Performance level PLe (EN13849-1) is attainable
- Component of PSE4 modular system

Product information

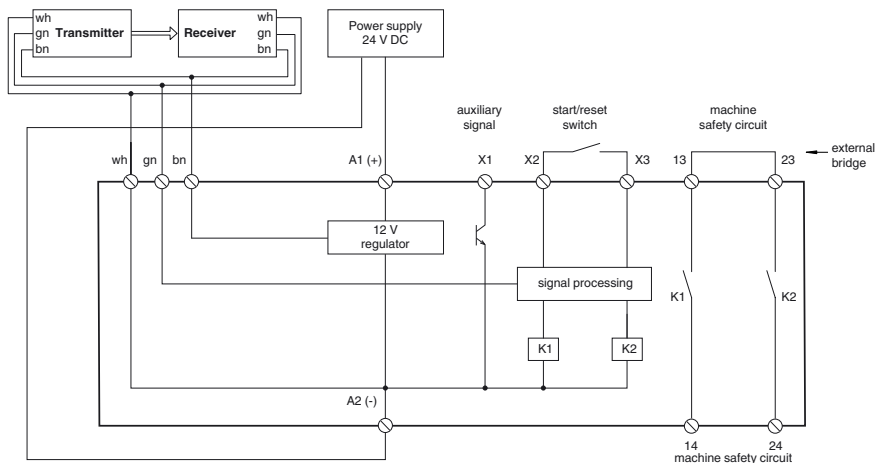
In its entirety, the PSE4 safety edge system consists of the control interface, sensors, a rubber sensor strip, and an optional aluminum mounting strip. The system can be used within a temperature range of 5 °C to 55 °C.

The control interface analyzes the signal from the sensors and is designed to be installed in a switch cabinet. The safety contact of the control interface is released by actuating the safety edge. The system as a whole can be used in applications up to Cat. 4/PL e as defined in EN ISO 13849-1.

Dimensions



Electrical connection



Release date: 2019-12-18 11:23 Date of issue: 2019-12-18 233900_eng.xml

Refer to "General Notes Relating to Pepperl+Fuchs Product Information".

Pepperl+Fuchs Group
www.pepperl-fuchs.com

USA: +1 330 486 0001
fa-info@us.pepperl-fuchs.com

Germany: +49 621 776 1111
fa-info@de.pepperl-fuchs.com

Singapore: +65 6779 9091
fa-info@sg.pepperl-fuchs.com

Technical data

Limit data

Permissible cable length 200 m

Functional safety related parameters

Performance level (PL) PL e
 Category Cat. 4
 MTTF_d 166 a
 Mission Time (T_M) 20 a
 Diagnostic Coverage (DC) 99 %

Indicators/operating means

Operation indicator LED green: Power on
 Function indicator LED green

Electrical specifications

Operating voltage U_B 24 V DC +20/-10 %
 Power consumption P₀ < 4 W

Output

Signal output relay, 2 NO
 Switching voltage max. 250 V AC/DC
 Switching current max. 4 A
 Switching power 1000 VA
 Response time 32 ms

Conformity

Functional safety ISO 13849-1
 Product standard EN 12978 ; ISO 13856-2

Ambient conditions

Ambient temperature 5 ... 55 °C (41 ... 131 °F)
 Pollution degree 2

Mechanical specifications

Degree of protection IP20
 Connection screw terminals , Cable cross-section 0.2 ... 2.5 mm²
 Material Polyethylene (PE)
 Mass approx. 200 g

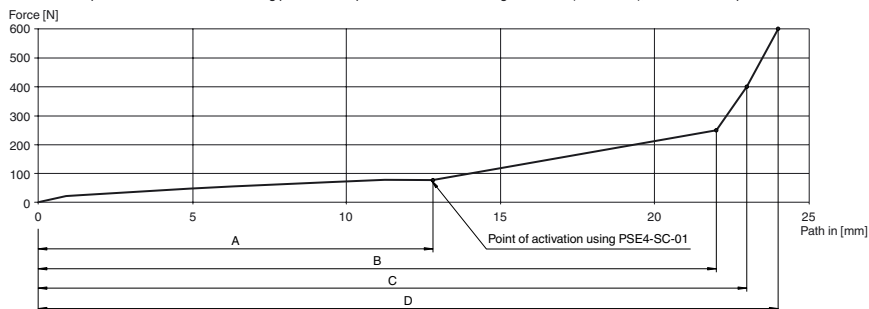
Approvals and certificates

UL approval cULus Listed File no: NRNT.E344450
 TÜV approval TÜV Rheinland 968/M 301.00/11

Curves/Diagrams

Force path diagram

Measurement parameters: T = 23 °C, mounting position B as per EN 1760-2, measuring location C (EN 1760-2), v = 100 mm/s up to A, v = 10 mm/s from A.



Force path diagram representing the deformation of the sensor strip under force

Deformation under force with control unit PSE4-SC-01			
		Deformation [mm]	Force [N]
A	Resistance	12.8	80
B		22.0	250
C		23.0	400
D		24.0	600

Notes

The modular PSE system comprises the following components:

PSE4-SL safety thru-beam sensors:

The plug electronics are fully encapsulated in the housing to achieve a high level of resistance to environmental influences such as water, dust, and moisture. Degree of protection IP68 is achieved.

Rubber profiles PSE4-RUB and PSE4-ROI:

The rubber profile is designed as a double-chamber profile. The emitter and receiver are inserted in the round hollow chamber at the top. When the profile is actuated, the optical channel is interrupted and the enable circuits on the control unit open. When actuated near the end, the emitter and/or receiver dip into the lower chamber. This ensures that the beam of light is broken. However, the forces required are high, meaning the end areas are inactive areas in line with EN 1760-2.

PSE safety control units:

Controller for the emitter/receiver system.

Other suitable accessories can be found at www.pepperl-fuchs.com

Release date: 2019-12-18 11:23 Date of issue: 2019-12-18 233900_eng.xml

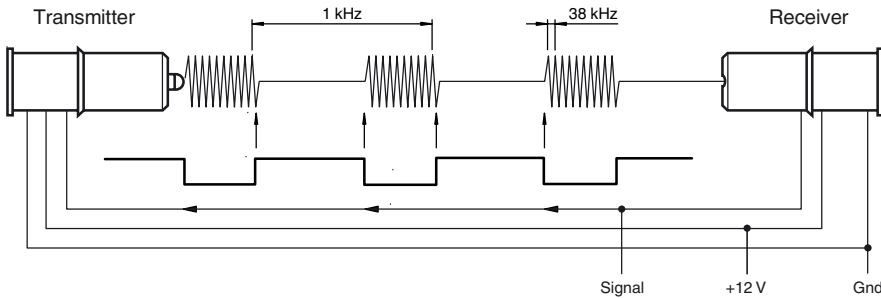
PSE4-ALU aluminum rails:

The aluminum rails are available in various lengths and can be used as an option.

Functional Principle

The emitter transmits pulses of infrared light, which are detected by the receiver. When the emitter light is detected, the receiver turns off the emitter via a control input. The "luminous flux" stops. The receiver also detects this status and the emitter is then switched on again after a specified time. This coupling produces a dynamic signal that is conveyed, in principle, to a charge pump. The pump's charge state is analyzed in the evaluation.

Any errors in the emitter/receiver system affect the optical or electrical signal, which results in the absence of a dynamic signal.



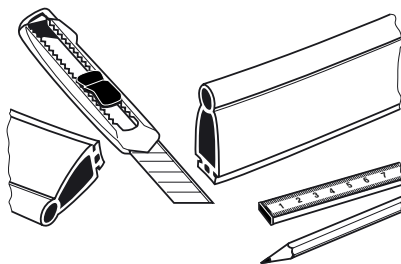
Note:

Safety edges must be fully installed to comply with the EC-Type Examination Certificate for the PSE4 series.

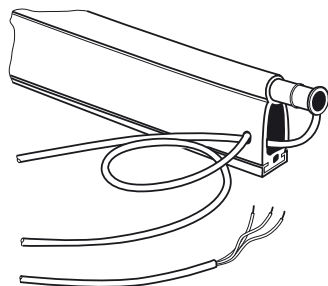
Possible combinations

	PSE4-ALU-*	PSE4-ALU-3009-*	PSE4-ROI-*	PSE4-RUB-*	PSE4-RUB-30EPDM58-*	PSE2-SC-*	PSE4-SC-*	PSE4-SL-*
PSE4-ALU-*			X	X	-	X	X	X
PSE4-ALU-3009-*			-	-	X	X	X	X
PSE4-ROI-*	X	-				X	X	X
PSE4-RUB-*	X	-				X	X	X
PSE4-RUB-30EPDM58-*	-	X				X	X	X
PSE2-SC-*	X	X	X	X	X			X
PSE4-SC-*	X	X	X	X	X			X
PSE4-SL-*	X	X	X	X	X	X	X	

Mounting or replacing the sensors



Sensor strip PSE4-RUB-XX or PSE4-ROI-XX and accompanying aluminum mounting strip
Cut PSE4-ALU-XX to the required length.



Slide the emitter and receiver into the upper chamber.
Guide the emitter cable through the lower chamber to the receiver side.

Release date: 2019-12-18 11:23 Date of issue: 2019-12-18 233900_eng.xml