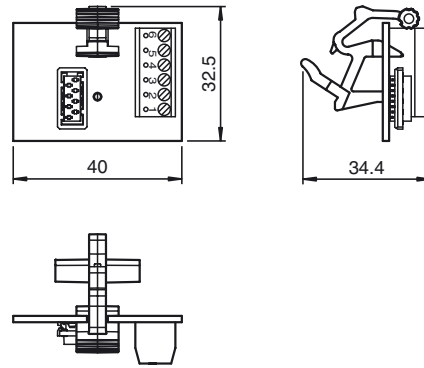
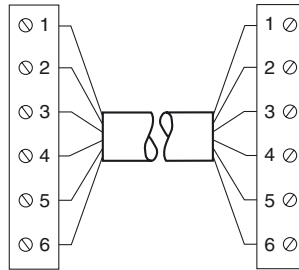


Dimensions



Electrical connection

Connection Terminals



Model Number

DoorScan Cable Adapter

Accessory DGE

Features

- Cable adapter for configurable DoorScan presence sensor
- Cable adapter for extending the ribbon cable
- Tool-free module mounting using snap-in mechanism

Product information

The DoorScan cable adapter is used to connect ribbon cable segments of a DoorScan system. It is possible to connect a sensor system with two separate profiles using a previously fitted cable. One adapter is used to connect cables for one (ribbon) side.

Release date: 2015-06-17 10:03 Date of issue: 2015-06-30 273415_eng.xml

Technical data

Ambient conditions

Ambient temperature -30 ... 60 °C (-22 ... 140 °F)

Mechanical specifications

Degree of protection IP54 (iwhen mounted)

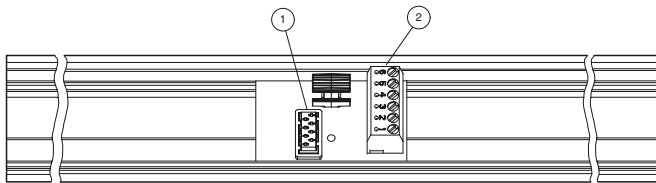
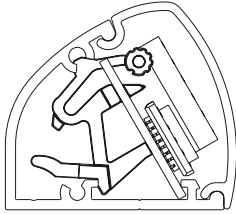
Connection socket 8-pin

Mass approx. 18 g

General information

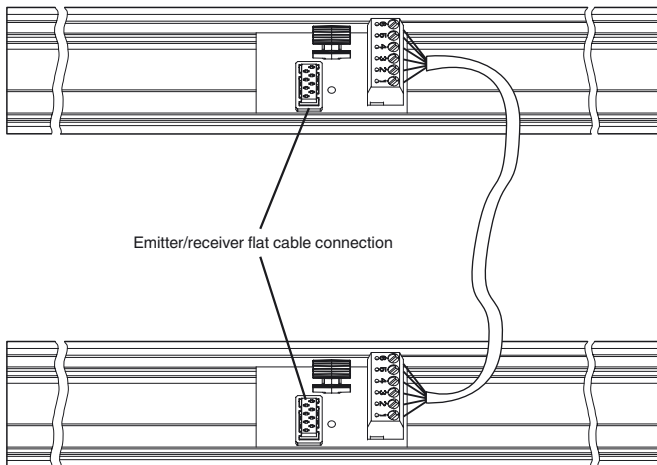
Scope of delivery 2 x Adapter

Board Mounting



1 PCB socket, emitter/receiver flat cable connection 2 Terminal for customer double-ended cordset

Cable Mounting



Use a cable with at least six strands.
 The core cross-section can be 0.128 mm² ... 1.0 mm² (~AWG 18).
 Use cable with a maximum length of 2 m.
 Cover flexible stranded wires with wire end ferrules.

Release date: 2015-06-17 10:03 Date of issue: 2015-06-30 279415_eng.xml