



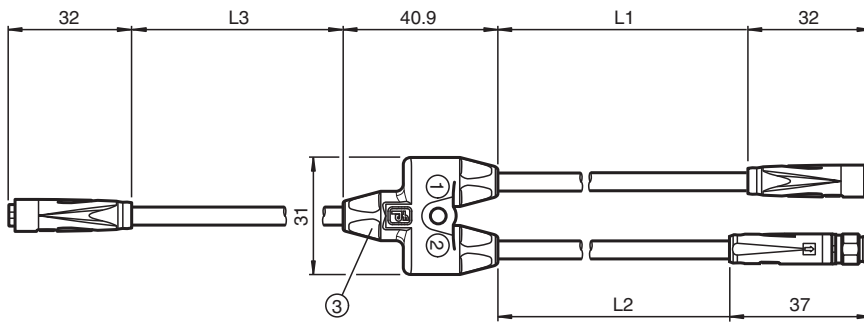
Y connection cable

V31-0,3MPVC/V31S-0,1-TEE-V31-G

- Easy merging of two signals at a single M8 slot
- Snap locking
- Plug fits through drill holes diameter min. 8 mm

Y connection cable M8 socket snap-lock straight A-coded 4-pin to 1x M8 socket / 1x M8 plug snap-lock straight A-coded 4-pin, PVC cable black

Dimensions



Technical Data

General specifications

Connector 1	
Connection	socket
Construction type	M8
Style	straight
Locking	snap locking
Number of pins	4
Coding	A-coded
Connector 2	
Connection	plug
Construction type	M8
Style	straight
Locking	snap locking
Number of pins	4
Coding	A-coded
Connector 3	

Release date: 2021-10-20 Date of issue: 2021-10-21 Filename: 310812_eng.pdf

Refer to "General Notes Relating to Pepperl+Fuchs Product Information".

Pepperl+Fuchs Group
www.pepperl-fuchs.com

USA: +1 330 486 0001
fa-info@us.pepperl-fuchs.com

Germany: +49 621 776 1111
fa-info@de.pepperl-fuchs.com

Singapore: +65 6779 9091
fa-info@sg.pepperl-fuchs.com

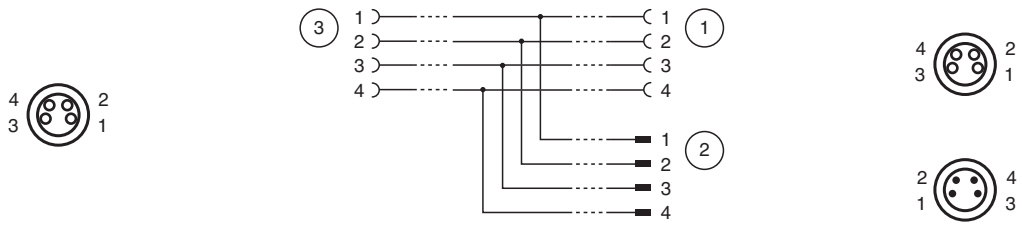
 PEPPERL+FUCHS

Technical Data

Connection		socket
Construction type		M8
Style		straight
Locking		snap locking
Number of pins		4
Coding		A-coded
Electrical specifications		
Operating voltage	U _B	30 V AC/DC
Operating current	I _B	max. 3 A
Conformity		
Degree of protection		EN 60529
Plug connection		connector M8 x 1 : IEC 61076-2-104
Flammability		UL 1581 , IEC 60332-1-2
Ambient conditions		
Ambient temperature		
Plug connector		-25 ... 90 °C (-13 ... 194 °F)
Cable, fixed		-25 ... 80 °C (-13 ... 176 °F)
Cable, flexing		-5 ... 80 °C (23 ... 176 °F)
Pollution degree		3
Mechanical specifications		
Plug connector		
Mating cycles		min. 100
Degree of protection		IP65
Cable		according to IEC/EN 60228 (DIN VDE 0295) class 5
Sheath diameter		4.3 mm
Bending radius		> 15 x cable diameter, moving > 5 x cable diameter, fixed
Sheath stripping force		max. 50 N / 300 mm
Sheath color		black (similar to RAL 9005)
Number of cores		4
Core cross section		0.34 mm ²
Cores color		Core 1: brown Core 2: white Core 3: blue Core 4: black
Core construction		19 x 0.15 mm Ø
Length	L	L1 = 300 mm L2 = 100 mm L3 = 100 mm
Cable code		Li YY 4 x 0,34
Material		
Plug connector		
Body		PUR, black
Contact surface		Au
Flammability		V-2
Cable		
Sheathing		PVC
Core insulation		PVC
Flammability		FT1

Release date: 2021-10-20 Date of issue: 2021-10-21 Filename: 310812_eng.pdf

Connection Assignment



Release date: 2021-10-20 Date of issue: 2021-10-21 Filename: 310812_eng.pdf