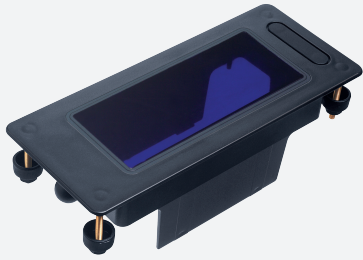


Mounting aid DGE

Montageplatte LT

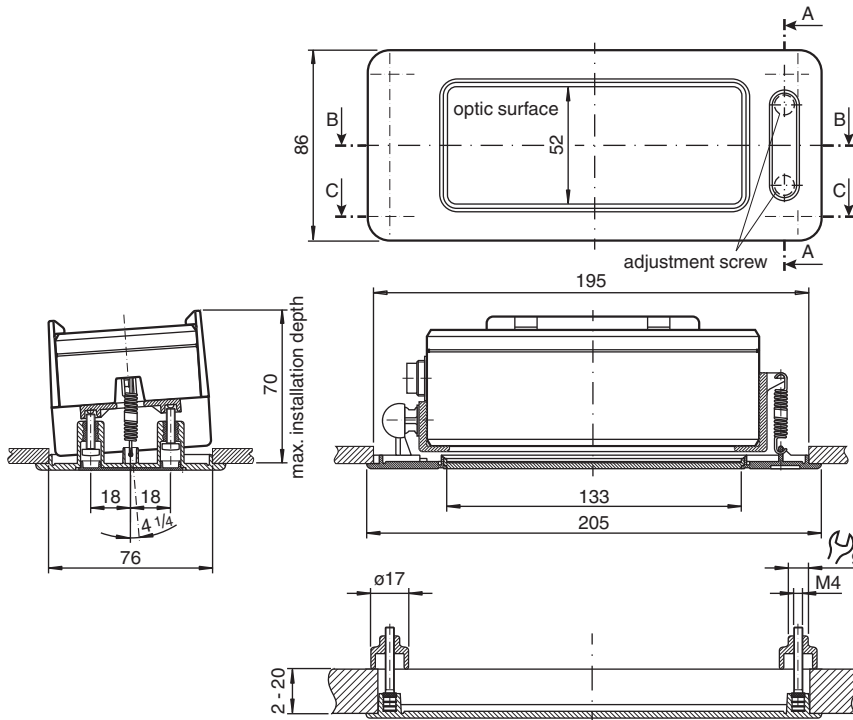


- Mounting plate for the installation of sensors from LT or LTK series in suspended ceilings
- Front panel specially toughened and crack resistant
- Carrying frame for sensor with adjustable 4-point fixture
- Precise sensor orientation using additional adjustment screws

Mounting plate for sensors in the LT and FLT series



Dimensions



Technical Data

Mechanical specifications

Material	Plastic ABS
Optical face	Blue Plexiglas
Mass	approx. 155 g
Suitable series	
Series	LT , LTK

Release date: 2020-03-21 Date of issue: 2020-10-08 Filename: 414076_eng.pdf

Refer to "General Notes Relating to Pepperl+Fuchs Product Information".

Pepperl+Fuchs Group
www.pepperl-fuchs.com

USA: +1 330 486 0001
fa-info@us.pepperl-fuchs.com

Germany: +49 621 776 1111
fa-info@de.pepperl-fuchs.com

Singapore: +65 6779 9091
fa-info@sg.pepperl-fuchs.com

PF PEPPERL+FUCHS

Mounting

Used to install sensors in suspended ceilings.

The sensor can be rotated after it is installed by two screws accessible from the front. This makes it possible to adjust the recording range accurately.

After the setting has been made, the adjustment screws can be hidden behind the accompanying cover flap.