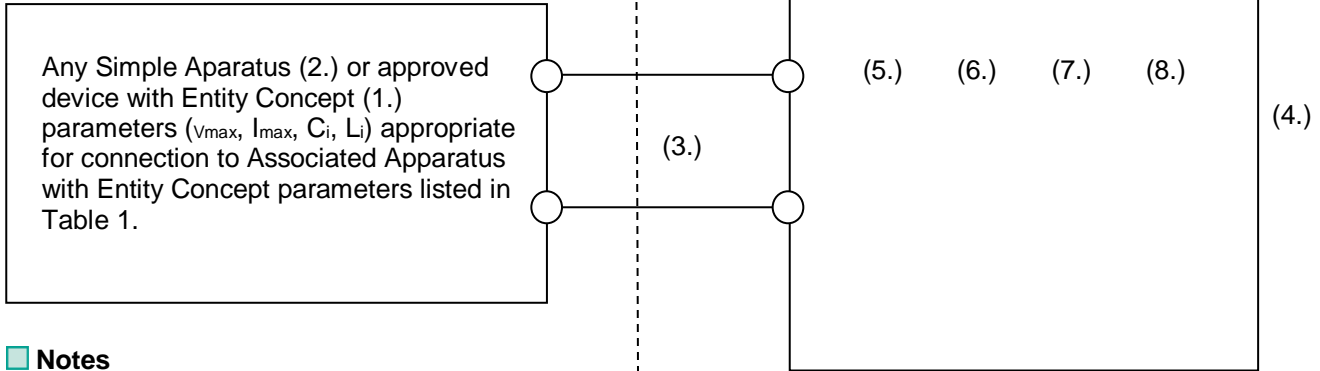


Connections


NONHAZARDOUS LOCATION
or
HAZARDOUS (CLASSIFIED) LOCATION
CLASS I, DIVISION 1, GROUPS A,B,C,D
CLASS II, DIVISION 1, GROUPS E,F,G
CLASS III, DIVISION 1
CLASS I, ZONE 0 and 1, GROUP IIC
ZONE 20, GROUP IIIC

NON-HAZARDOUS LOCATION
or
CLASS I, DIVISION 2, GROUPS A,B,C,D
or
CLASS I, ZONE 2, GROUP IIC



Notes

1. The Entity Concept allows interconnection of intrinsically safe apparatus with associated apparatus not specifically examined in combination as a system when the approved values of Voc (or Uo) and Isc (or Io) for the associated apparatus are less than or equal to Vmax (Ui) and Imax(Ii) for the intrinsically safe apparatus and the approved values of Ca(Co) and La(Lo) for the associated apparatus are greater than Ci + Ccable and Li + Lcable, respectively, for the intrinsically safe apparatus,
Where Ccable= 60pF/ft if unknown
Where Lcable= 0.20uH/ft if unknown
2. Simple apparatus: an electrical component or combination of components of simple construction with well-defined electrical parameters that does not generate more than 1.5 V, 100mA, 25mW, or is a passive component that does not disipate more than 1.3W and is compatible with the intrinsic safety of the circuit in which it is used.
3. Wiring methods must be in accordance with all applicable installation requirements of the county in use. For US, this is NFPA 70 (NEC) article 504 with additional information in ANSI-ISA –RP12.06.01. For Canada this is CSA 22.1-12 (CEC) section 18 and appendix F.
4. Barriers shall not be connected to any device which uses or generates internally any voltage in excess of 250V r.m.s. unless the device has been determined to adequately isolate the voltage from the barrier.
5. The barriers are rated `non-incendive` for use in Class I, Division 2 or Zone 2 or non-hazardous location. A temperature rating of T4 applies to all non-incendive rated barriers.
6. If the barriers are intended to be mounted in a Division 2 location, they shall be mounted within a tool-secured enclosure which is capable of accepting one or more of the Class I, Division 2 wiring methods specified in the National Electrical Code (ANSI/NFPA 70) or Canadian Electrical Code (C22.1), as applicable. The equipment shall be installed in an enclosure with a minimum ingress protection of IP2X.
7. If the barrier are intended to be mounted in a Zone 2 location, they shall be mounted within a tool-secured enclosure which is capable of accepting one or more of the Class I, Zone 2 wiring methods specified in the National Electrical Code (ANSI/NFPA 70) or Canadian Electrical Code (C22.1), as applicable. The equipment shall be installed in an AEx and EX certified IP54 enclosure unless the apparatus is intended to be afforded an equivalent degree of protection by location. The device can only be used in an area of not more than Pollution degree 2.
8. The permitted ambient temperature range is -20°C to 60°C.

This document contains safety-relevant information. It must not be altered without the authorization of a NE EX		
	Only valid as long as released in EDM	date: 2017-May-02
 PEPPERL+FUCHS Global	Control drawing for	116-0434
	HiC2821 / HiC2822	sheet 1 of 2

Entity Parameters

Model Number	Terminals	V _{oc} (U ₀) (V)	I _{sc} (I ₀) (mA)	P ₀ (mW)	Groups	C _a (C ₀) [μ F]	L _a (L ₀) [mH]	L ₀ / R ₀ [μ H / Ω]
HiC2821 HiC2822	5a, 5b; 1a, 1b	10.5	17.1	45	A,B IIC	2.41	121.5	792
					C,E,F,G IIB, IIIC	16.8	486.3	3167
					D IIA	75	972.7	6334

The values of L₀ and C₀ listed in the table above are allowed if one of the following conditions is met:

- The total L_i of the external circuit (excluding the cable) is < 1% of the L₀ value or
- The total C_i of the external circuit (excluding the cable) is < 1% of the C₀ value.

The values of L₀ and C₀ listed in the table above shall be reduced to 50% when both of the following conditions are met:

- the total L_i of the external circuit (excluding the cable) is > 1% of the L₀ value and
- the total C_i of the external circuit (excluding the cable) is > 1% of the C₀ value.


Note: the reduced capacitance of the external circuit (including cable) shall not be greater than 1 μ F for IIA, IIB and 600nF for IIC

WARNING - Substitution of components may impair intrinsic safety and suitability for use in Class I, Div. 2/Zone 2.

AVERTISSEMENT - La substitution de composants peut compromettre la sécurité intrinsèque et l'adéquation à une utilisation en Classe I, Div. 2/Zone 2.

WARNING - Do not disconnect the equipment or actuate switches when the equipment is energized and an explosive atmosphere is present.

AVERTISSEMENT - Ne pas débrancher l'équipement et ne pas actionner les commutateurs lorsque l'équipement est sous tension et exposé à une atmosphère explosive.

This document contains safety-relevant information. It must not be altered without the authorization of a NE EX		
	Only valid as long as released in EDM	date: 2017-May-02
 PEPPERL+FUCHS	Control drawing for	116-0434
	Global	HiC2821 / HiC2822
		sheet 2 of 2