

Seal of the certification authority	Company seal
-------------------------------------	--------------

CERTIFICATION DOCUMENT 366-017CS-12

HiD2081/82 CSA Control Drawings

This document contains safety-relevant information. It must not be altered without the authorization of the norm expert!			date: 30.07.2003	
 MEZZAGO (ITALY)	Title HiD2081/82 CSA Control Drawings	respons.		366-017CS-12
		approved		
		norm	IDF	

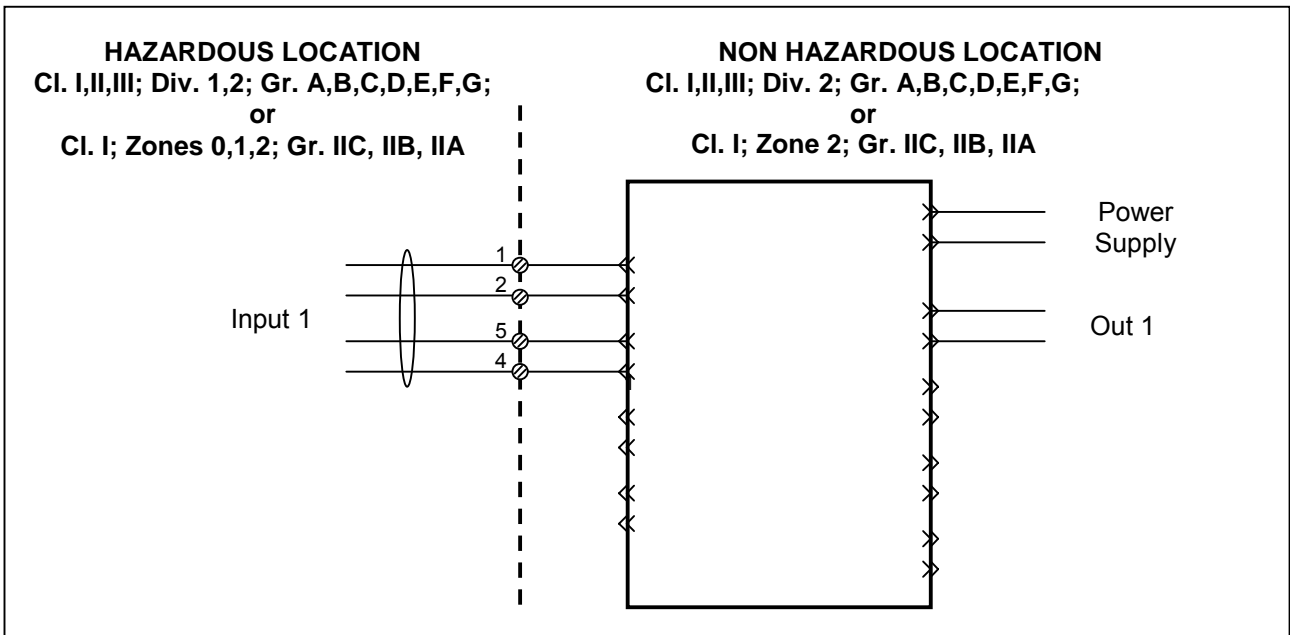
General

The following control drawings are provided to show interconnection between HiD2000 Series Apparatus and other circuits or apparatus resulting in an Intrinsically Safe System. An Intrinsically Safe System could consist of the interconnection of Intrinsically Safe Apparatus and Associated Apparatus separately investigated under the Entity Evaluation Concept.

Installation Notes

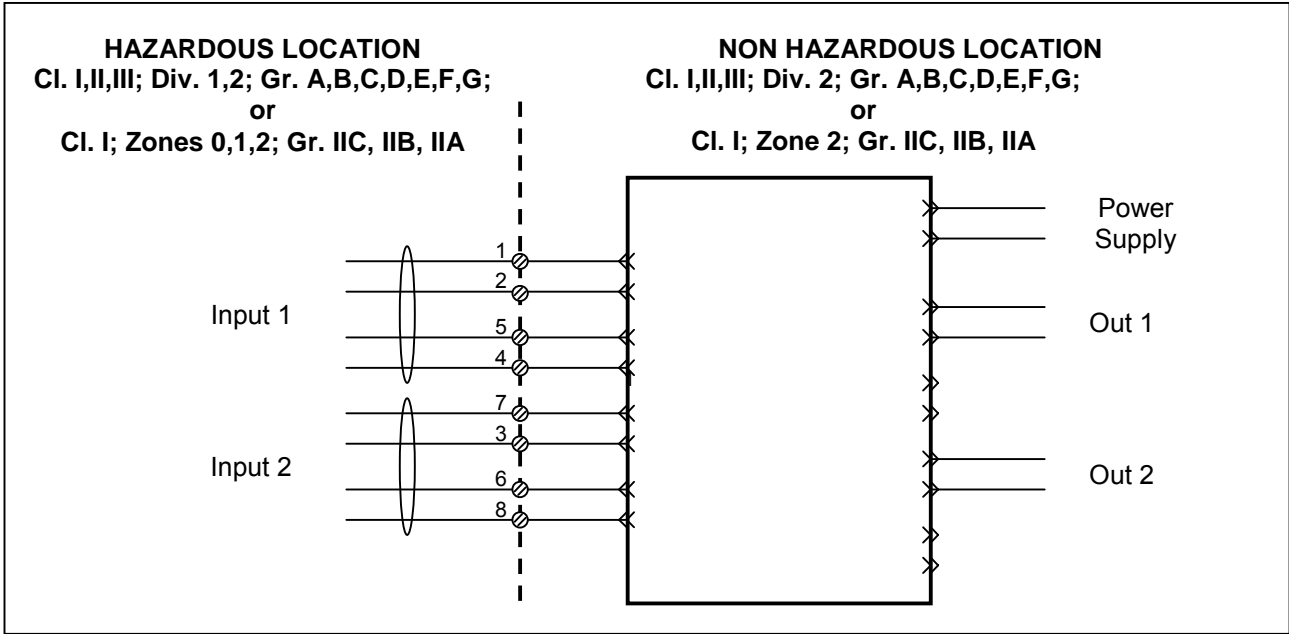
1. Installation of HiD2000 Series apparatus should be in accordance with the Canadian Electrical Code and CSA C22.1, Part 1, Appendix F.
2. The configuration of associated Apparatus must be CSA Certified under the Entity Concept.
3. Intrinsically Safe apparatus manufacturer's installation drawings must be followed when installing such equipment.
4. Dust-tight conduit seal must be used when installed in Class II and Class III environment.
5. Control equipment connected to HiD2000 Series apparatus must not use or generate more than 250Vrms or Vdc.
6. The Entity Evaluation Concept allows the interconnection of two CSA Certified Intrinsically Safe devices with entity parameters not specifically examined in combination as a system when:
 - U_o or V_{oc} or $V_t \leq V_{max}$ or U_i
 - I_o or I_{sc} or $I_t \leq I_{max}$ or I_i
 - $P_o \leq P_i$ (Note: For Zone applications only)
 - C_o or $C_a \geq C_i + C_{cable}$
 - L_o or $L_a \geq L_i + L_{cable}$
7. No revision without prior acceptance from CSA Approvals

This document contains safety-relevant information. It must not be altered without the authorization of the norm expert!			date: 30.07.2003	
 MEZZAGO (ITALY)	Title HiD2081/82 CSA Control Drawings	respons.		366-017CS-12
		approved		
		norm	IDF	



Models	CSA Entity Parameters								
	Haz. Loc. Terminals	Voc (V)	Isc (mA)	Po (mW)	Gas Groups		Ca (µF)	La (mH)	NOTE
HiD2081	1-2-5-4	10	15	38	A-B	IIC	3	158	Note 1
					C-E	IIB	20.2	632	
					D-F-G	IIA	100	1260	

Note 1: Po for Zone application only



Models	CSA Entity Parameters								
	Haz. Loc. Terminals	Voc (V)	Isc (mA)	Po (mW)	Gas Groups		Ca (µF)	La (mH)	NOTE
HiD2082	1-2-5-4	10	15	38	A-B	IIC	3	158	Note 1
	7-3-6-8				C-E	IIB	20.2	632	
					D-F-G	IIA	100	1260	

Note 1: Po for Zone application only

This document contains safety-relevant information. It must not be altered without the authorization of the norm expert!				date: 30.07.2003	
	Title	HiD2081/82 CSA Control Drawings	respons.		366-017CS-12
			approved		
			norm	IDF	
MEZZAGO (ITALY)					sheet 4 of 4