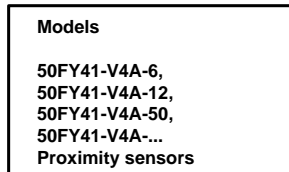


## Connections

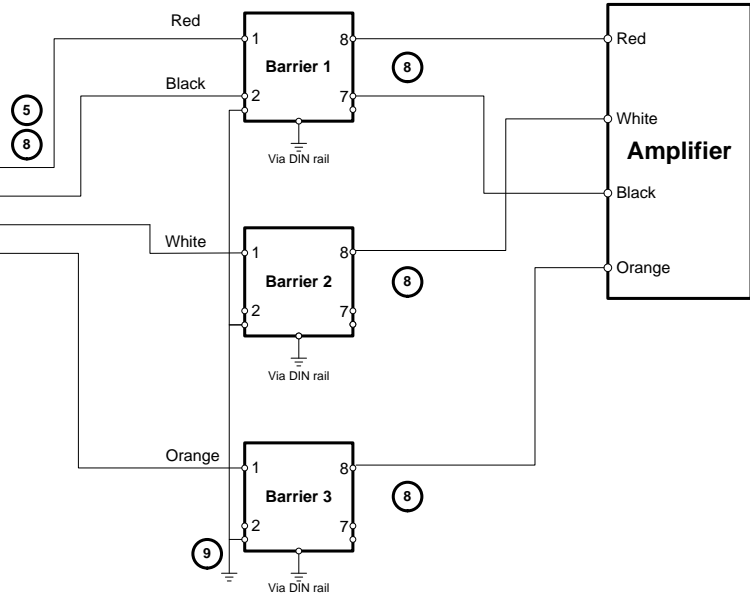
### HAZARDOUS LOCATION

Class I, Division 1, Groups A, B, C, D  
 Class II, Division 1, Groups E, F, G  
 Class III, Division 1  
 or  
 Class I, Zone 0 IIC  
 Zone 20 IIC



Refer to note 5  
 for allowable  
 cable parameters

### NON-HAZARDOUS LOCATION



## Notes

### 1. MARKING

- cULus mark
- Listee's name
- Model number or designation
- Class-Division marking:
  - Class I, Division 1, Group A, B, C, D, T6...T1
  - And/Or
  - Class II, Division 1, Group E, F, G, T135°C
  - And/Or
  - Class III, Division 1, T135°C
- And/Or
- Class-Zone marking for USA:
  - Class I, Zone 0, AEx ia IIC T6...T1 Ga
  - And/Or,
  - Zone 20, AEx ia IIIC T135°C Da
- And/Or
- Class-Zone marking for Canada:
  - Ex ia IIC T6...T1 Ga X
  - And/Or,
  - Ex ia IIIC T135°C Da X

This document contains safety-relevant information. It must not be altered without the authorization of a NE EX		
	Only valid as long as released in EDM	date: 2020-09-29
	Control Drawing	116-0466
	Magnetic Sensors Series 50FY41-V4A-...	sheet 1 of 3
Global		

FTM-0098A

- The following abbreviations are permitted to be used: Class – Cl, Division – Div, Group – Gp, Zone – Zn
- An indication that the apparatus is intrinsically safe
- A reference to the control drawing number
- A reference to ambient temperature range shown under suitable tables in the Control Drawing
- A serial number, date code or equivalent

- Maximum permissible ambient temperature for use in:

Class I, Division 1  
Class I, Zone 0

Temperature Class	Maximum permissible ambient temperature for application in temperature class
T6	60°C
T5	75°C
T4	100°C
T3	100°C
T2	100°C
T1	100°C

- Maximum permissible ambient temperature 100°C for use:

Class II, Division 1  
Class III, Division 1  
Zone 20

## 2. BARRIERS


Apparatus for use only with the following barriers of Pepperl+Fuchs

Barrier 1	Z715	<a href="#">QUZW.E106378</a>	<a href="#">QUZW7.E106378</a>
Barrier 2	Z715.1K	<a href="#">QUZW.E106378</a>	<a href="#">QUZW7.E106378</a>
Barrier 3	Z715.1K	<a href="#">QUZW.E106378</a>	<a href="#">QUZW7.E106378</a>

## 3. AMPLIFIER

Apparatus for use only with the following amplifiers of Pepperl+Fuchs

KE5D2-6H_2R-S	<a href="#">NRNT.E179102</a>	<a href="#">NRNT7.E179102</a>
FYQLA1-140R-3	<a href="#">NRNT.E179102</a>	<a href="#">NRNT7.E179102</a>

This document contains safety-relevant information. It must not be altered without the authorization of a NE EX		
	Only valid as long as released in EDM	date: 2020-09-29
 <b>PEPPERL+FUCHS</b> Global	Control Drawing Magnetic Sensors Series 50FY41-V4A-...	116-0466
		sheet 2 of 3

FTM-0098A

#### 4. STANDARDS

Investigation acc. United States Standards:

UL 913, UL 60079-0, UL 60079-11


and acc. Canadian National Standards

CSA C22.2 NO. 60079-0, CSA C22.2 NO. 60079-11

5. The device shall be installed with integrated cable only. The maximum cable length shall be 50 m (164 ft).
6. Wiring methods must be in accordance with all applicable installation requirements of the country in use. For the U.S. see NFPA 70 (NEC) article 504. For Canada see CEC section 18.
7. An ambient temperature below – 20 C is not permissible.
8. Installation should be in accordance with ANSI/ISA RP 12.6 and the National Electrical Code (ANSI/NFPA 70).
9. Associated apparatus manufacturer's installation drawing must be followed when installing this equipment.
10. Resistance between intrinsically safe ground and earth must be less than 1 ohm.
11. The 50FY41-V4A-... is provided with a permanently connected cable having the following characteristics:

Type	
Rated Voltage:	300 V
Maximum Rated Temperature:	105°C
Conductor size:	22 AWG
Insulation type:	PVC
Certifications:	UL AWM 2517 / 1581

Suitability for installation in particular applications is at the discretion of the Authority Having Jurisdiction (AHJ).

This document contains safety-relevant information. It must not be altered without the authorization of a NE EX		
	Only valid as long as released in EDM	date: 2020-09-29
 <b>PEPPERL+FUCHS</b>	Control Drawing Magnetic Sensors Series 50FY41-V4A-...	116-0466
		Global

FTM-0098A