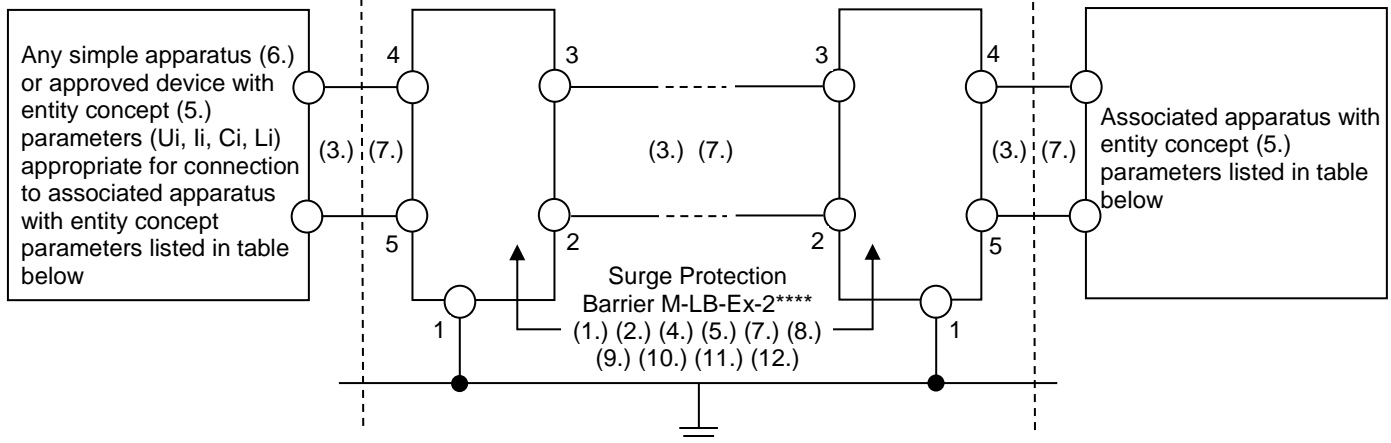


Connections

NON-HAZARDOUS LOCATION or
HAZARDOUS LOCATION
Class I, Division 1,
Groups A, B, C, D
Class II, Division 1,
Groups E, F, G
Class III, Division 1 or
Class I, Zone 0 and 1, IIC
Zone 20 and 21, IIC

NON-HAZARDOUS LOCATION or
HAZARDOUS LOCATION
Class I, Division 1, Groups A, B, C, D or
Class I, Division 2, Groups A, B, C, D or
Class I, Zone 1, IIC

NON-HAZARDOUS LOCATION or
HAZARDOUS LOCATION if
applicable



Notes

- The Surge Protection Barriers are connected in intrinsically safe signal loops and are rated "intrinsically safe" for use in Class I, Division 1 or Zone 1 and are rated "nonincendive" for use in Class I, Division 2 or Zone 2, temperature classes T4, T5, T6. Temperature class depends on maximum I_{max} (I_i) current and P_i power, see ratings below.
- The device is designed to protect equipment from damage caused by indirect effects of lightning or other transient overvoltages. This protection is achieved by diverting the increased transient current and limiting the voltage during the duration of the overvoltage surge. The system is not intrinsically safe during the transient overvoltage but the high potential differences are reduced at the connected devices.
- The protection level of the connected circuit is not changed by the Surge Protection Barrier.
- The suitability of installation of the Surge Protection Barrier in a specific Division / Zone is determined by the connected signal circuit.
- The Entity Concept allows interconnection of intrinsically safe apparatus with associated apparatus not specifically examined in combination as a system when the approved values of V_{oc} (or U_o) and I_{sc} (or I_o) for the associated apparatus are less than or equal to V_{max} (U_i) and I_{max} (I_i) for the intrinsically safe apparatus and the approved values of $C_a(C_o)$ and $L_a(L_o)$ for the associated apparatus are greater than $C_i + C_{cable}$ and $L_i + L_{cable}$, respectively, for the intrinsically safe apparatus,
Where $C_{cable} = 60pF/ft$ (for two or three core cables), if unknown
Where $L_{cable} = 0.20uH/ft$ (for two or three core cables), if unknown
- Simple apparatus: an electrical component or combination of components of simple construction with well-defined electrical parameters that does not generate more than 1.5 V, 100mA, 25mW, or is a passive component that does not dissipate more than 1.3W and is compatible with the intrinsic safety of the circuit in which it is used.
- The Surge Protection Barriers may also be connected to nonincendive field wiring. A temperature rating of T4, T5 or T6 applies depending on maximum I_{max} (I_i) current, see current rating below.

This document contains safety-relevant information. It must not be altered without the authorization of a NE EX		
Only valid as long as released in EDM		date: 2021-May-17
	UL Control drawing	116-0479
	Surge Protection Barrier M-LB-Ex-2****	sheet 1 of 3
Global		

8. Surge Protection Barriers type M-LB-Ex-2**4* are used to protect grounded signal lines. They provide a defined protection level from line to earth by connecting the signal lines to earth via suppressor diodes. Typical application is in connection with zener barriers.
Surge Protection Barriers type M-LB-Ex-2**2* are used to protect not grounded signal lines. They are connected with earth via gas discharge tube only. This results in a greater insulation voltage from line to earth. Typical application is in connection with galvanic isolators.
Apparatus (all models) does not provide isolation from earth in accordance with UL 60079-11/6.3.13.
9. Apparatus must be installed in accordance with this control drawing, applicable requirements of National Code (ANSI/NFPA 70), in particular, articles 501 and 504 for installation in the United States, or Section 18 of the Canadian Electrical Code for installations in Canada.
10. Equipment is open type and shall be mounted in a suitable for intended end use application tool-secured Listed enclosure with a minimum flame rating of V-0 or better (IP20 minimum). For United States, the enclosure shall be capable of accepting one of the wiring methods specified in ANSI/NFPA 70, articles 501 and 504.
11. Mount the devices in the same orientation on the DIN mounting rail. Use the insulation spacer M-LB-2800 as the termination of a device series for closing the open side wall. Secure the insulation spacer on the DIN mounting rail against shifting or falling over. For example, use terminal block USLKG5.
12. The permitted ambient temperature range is -40°C to 80°C.

Entity Parameters

Model	Terminals	Vmax (Ui) (V)	I _{max} (Ii) (mA)	Pi (W) *	Li (µH)	Ci (nF)
M-LB-Ex-211**	2, 3	6	400	1,4	20	0
M-LB-Ex-214**	4, 5	30	(see current rating)	(see power rating)		

Parameters Voc (Uo), Isc (Io) and Po are determined by the parameters of the circuit to which the Surge Protection Barrier is connected.

* If installed in Division 2 / Zone 2 the parameter Pi = any

Current and power ratings:

Mounting in Division 2 / Zone 2 requiring temperature class T4 or in non-hazardous areas


Max. ambient temperature	40°C	50°C	60°C	70°C	80°C
I _{max} (Ii)	400 mA	325 mA	250 mA	175 mA	100 mA
Pi	any	any	any	any	any
<i>Linear interpolation between these values is permitted</i>					

Mounting in Division 2 / Zone 2 requiring temperature class T5

Max. ambient temperature	40°C	50°C	60°C	70°C	80°C
I _{max} (Ii)	280 mA	210 mA	140 mA	70 mA	0 mA
Pi	any	any	any	any	any
<i>Linear interpolation between these values is permitted</i>					

Mounting in Division 2 / Zone 2 requiring temperature class T6

Max. ambient temperature	40°C	50°C	60°C	70°C
I _{max} (Ii)	280 mA	210 mA	140 mA	70 mA
Pi	any	any	any	any
<i>Linear interpolation between these values is permitted</i>				

This document contains safety-relevant information. It must not be altered without the authorization of a NE EX		
Only valid as long as released in EDM		date: 2021-May-17
 PEPPERL+FUCHS	UL Control drawing	
	Surge Protection Barrier M-LB-Ex-2****	
Global	116-0479	
		sheet 2 of 3

Mounting in Division 1 / Zone 1 requiring temperature class T4

Max. ambient temperature	40°C	50°C	60°C	70°C	80°C
I_{max} (Ii)	400 mA	325 mA	250 mA	175 mA	100 mA
Pi	1,4 W	1,3 W	1,2 W	1,1 W	1 W
<i>Linear interpolation between these values is permitted</i>					

Mounting in Division 1 / Zone 1 requiring temperature class T5


Max. ambient temperature	40°C	50°C	60°C	70°C	80°C
I_{max} (Ii)	280 mA	210 mA	140 mA	70 mA	0 mA
Pi	0,35 W	0,26 W	0,17 W	0,08 W	0 W
<i>Linear interpolation between these values is permitted</i>					

Mounting in Division 1 / Zone 1 requiring temperature class T6

Max. ambient temperature	40°C	50°C	60°C	65°C
I_{max} (Ii)	280 mA	210 mA	140 mA	70 mA
Pi	0,3 W	0,21 W	0,17 W	0,07 W
<i>Linear interpolation between these values is permitted</i>				

WARNING - Substitution of components may impair intrinsic safety

AVERTISSEMENT - La substitution de composants peut compromettre la sécurité intrinsèque

This document contains safety-relevant information. It must not be altered without the authorization of a NE EX		
Only valid as long as released in EDM		date: 2021-May-17
 PEPPERL+FUCHS	UL Control drawing	116-0479
	Surge Protection Barrier M-LB-Ex-2****	sheet 3 of 3
Global		