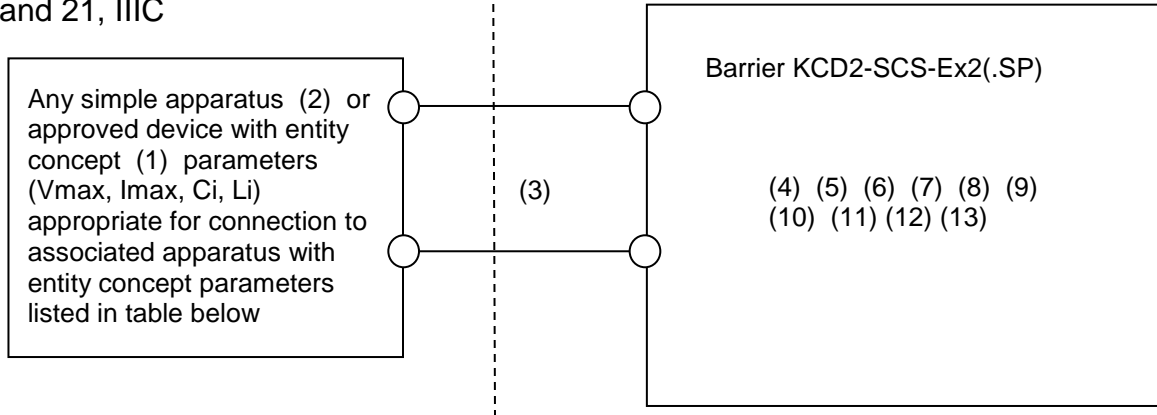


**Connections**

NON-HAZARDOUS LOCATION or HAZARDOUS LOCATION  
 Class I, Division 1, Groups A, B, C, D  
 Class II, Division 1, Groups E, F, G  
 Class III, Division 1 or  
 Class I, Zone 0 and 1, IIC  
 Zone 20 and 21, IIIC

NON-HAZARDOUS LOCATION or HAZARDOUS LOCATION  
 Class I, Division 2, Groups A, B, C, D or  
 Class I, Zone 2, IIC



**Notes**

- The Entity Concept allows interconnection of intrinsically safe apparatus with associated apparatus not specifically examined in combination as a system when the approved values of  $V_{oc}$  (or  $U_o$ ) and  $I_{sc}$  (or  $I_o$ ) for the associated apparatus are less than or equal to  $V_{max}$  ( $U_i$ ) and  $I_{max}$  ( $I_i$ ) for the intrinsically safe apparatus and the approved values of  $C_a$  ( $C_o$ ) and  $L_a$  ( $L_o$ ) for the associated apparatus are greater than  $C_i + C_{cable}$  and  $L_i + L_{cable}$ , respectively, for the intrinsically safe apparatus,  
 Where  $C_{cable} = 60pF/ft$  if unknown  
 Where  $L_{cable} = 0.20uH/ft$  if unknown
- Simple apparatus: an electrical component or combination of components of simple construction with well-defined electrical parameters that does not generate more than 1.5 V, 100mA, 25mW, or is a passive component that does not dissipate more than 1.3W and is compatible with the intrinsic safety of the circuit in which it is used.
- Wiring methods must be in accordance with all applicable installation requirements of the county in use. For US, this is NFPA 70 (NEC) article 504 with additional information in ANSI-ISA –RP12.06.01. For Canada this is CSA 22.1-12 (CEC) section 18 and appendix F.
- Barriers shall not be connected to any device which uses or generates internally any voltage in excess of 253 V unless the device has been determined to adequately isolate the voltage from the barrier.
- The device must be installed and operated only in an environment of overvoltage category II (or better) according to IEC/EN 60664-1.  
 The device must be installed and operated only in a controlled environment that ensures a pollution degree 2 (or better) according to IEC/EN 60664-1. The equipment meets the requirements for Annex F and is intended to be installed in a controlled environment.
- The permitted ambient temperature range is  $-40^{\circ}C$  to  $+70^{\circ}C$ .
- The barriers are rated `non-incendive` for use in Class I, Division 2 or Zone 2. A temperature rating of T4 applies to all non-incendive rated barriers.
- If the barriers are intended to be mounted in a Division 2 location, they shall be mounted within a tool-secured enclosure which is capable of accepting one or more of the Class I, Division 2 wiring methods specified in the National Electrical Code (ANSI/NFPA 70) or Canadian Electrical Code (C22.1), as applicable. The equipment shall be installed in an enclosure with

This document contains safety-relevant information. It must not be altered without the authorization of a NE EX		
	Only valid as long as released in EDM	date: 2022-Aug-30
	UL Control drawing	116-0490
	KCD2-SCS-Ex2(.SP)	sheet 1 of 2
Global		

a minimum ingress protection of IP2X.

9. If the barriers are intended to be mounted in a Zone 2 location, they shall be mounted within a tool-secured enclosure which is capable of accepting one or more of the Class I, Zone 2 wiring methods specified in the National Electrical Code (ANSI/NFPA 70) or Canadian Electrical Code (C22.1), as applicable. The equipment shall be installed in an AEx or Ex certified IP54 enclosure unless the apparatus is intended to be afforded an equivalent degree of protection by location.
10. The associated apparatus has not been evaluated for use in combination with other associated apparatus.
11. Isolation in accordance with UL/CSA 60079-11 clause 6.3.13 is provided between non-intrinsically safe circuits and intrinsically safe circuits.
12. The primary source has to be supplied from max. mains circuits of overvoltage category II with a nominal supply voltage up to 300 V.
13. The device must not be repaired. If there is a defect, the device must always be replaced with an original device.
14. Isolation according to IEC/UL61010-1 is claimed under P+F sole responsibility and is not assessed/ratified by UL.

### Entity Parameters

Model Number	Terminals	Uo (V)	Io (mA)	Po (mW)	Co (uF)			Lo (mH)			Lo/Ro [uH / Ω]		
					A,B IIC	C,E,F,G IIB/IIIC	D IIA	A,B IIC	C,E,F,G IIB/IIIC	D IIA	A,B IIC	C,E,F,G IIB/IIIC	D IIA
KCD2-SCS-Ex2(.SP)	1+,2- & 3+,4-	25.2	100	630	0.1059	0.81	2.8	3.5	14	28	56	224	448
		Ci = 1.05nF											

The values of Lo and Co listed in the table above are allowed if one of the following conditions is met:

- the total Li of the external circuit (excluding the cable) is < 1% of the Lo value or
- the total Ci of the external circuit (excluding the cable) is < 1% of the Co value.


The values of Lo and Co listed in the table above shall be reduced to 50% when both of the following conditions are met:

- the total Li of the external circuit (excluding the cable) is ≥ 1% of the Lo value and
- the total Ci of the external circuit (excluding the cable) is ≥ 1% of the Co value.

Note: the reduced capacitance of the external circuit (including cable) shall not be greater than 1uF for IIA, IIB/IIIC and 600nF for IIC.

WARNING - Do not disconnect the equipment or actuate switches when the equipment is energized and an explosive atmosphere is present.

AVERTISSEMENT - Ne pas débrancher l'équipement et ne pas actionner les commutateurs lorsque l'équipement est sous tension et exposé à une atmosphère explosive.

This document contains safety-relevant information. It must not be altered without the authorization of a NE EX		
Only valid as long as released in EDM		date: 2022-Aug-30
 <b>PEPPERL+FUCHS</b>	UL Control drawing	116-0490
	Global	KCD2-SCS-Ex2(.SP)