

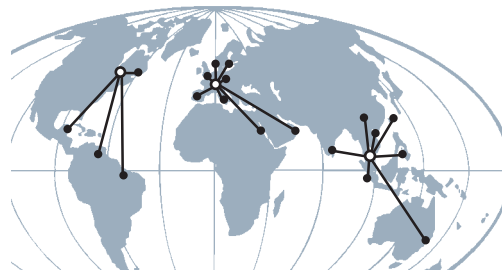
Merkmale

- Montage-Set für die mechanische Verlängerung des Lichtgitters AL2109
- Vielseitige Einsatzmöglichkeiten im Bereich Tür und Aufzug
- Einfache und schnelle Montage

Features

- Mounting set for mechanical extension of the elevator light curtains AL2109
- Variety of possible uses in the areas of doors and elevators
- Simple and fast mounting

Adressen Addresses



Worldwide Headquarters
Pepperl+Fuchs GmbH
68307 Mannheim - Germany
Telephone: +49 621 776-0
Telefax: +49 621 776-1000
info@de.pepperl-fuchs.com

USA Headquarters
Pepperl + Fuchs Inc.
Twinsburg Ohio, 44087 - USA
Telephone +1 330 425-3555
Telefax +1 330 425-4607
sales@us.pepperl-fuchs.com

Asia Pacific Headquarters
Pepperl + Fuchs Pte Ltd.
Singapore 139942
Telephone +65 6779 9091
Telefax +65 6873 1637
sales@sg.pepperl-fuchs.com

www.pepperl-fuchs.com

Part-No: 188002 Date: 2007-03-16

EDM: 45-1988A
DIN A3 -> DIN A7

PEPPERL+FUCHS

Zubehör TTA TTA Accessories



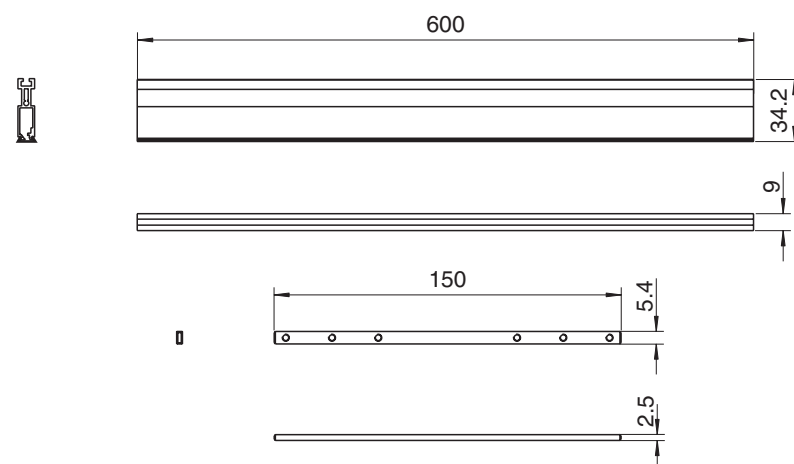
**Bestellbezeichnung
Model Number**

Mounting Set AL2109 extension

Montagehilfe

Mounting aid

Abmessungen/Dimensions



Technische Daten

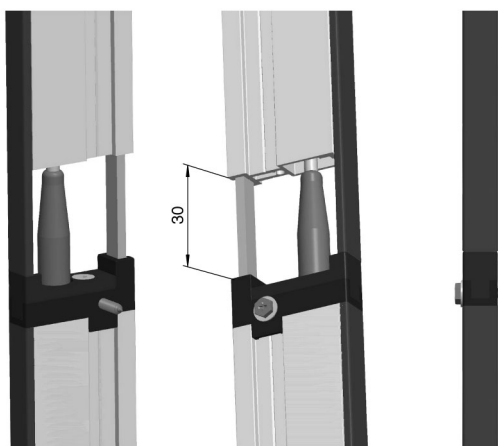
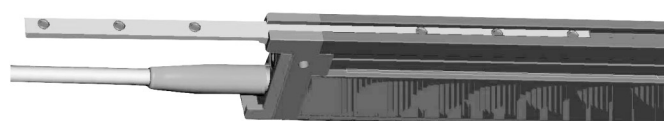
Mechanische Daten

Gehäuselänge L	600 mm
Material	Aluminium-Gehäuse
Masse	ca. 400 g
Befestigung	Befestigungsmaterial inklusive

Passende Serien

TTA Serie	AL21
-----------	------

Montagehinweis



Technical data

Mechanical specifications

Length of housing L	600 mm
Material	Aluminium housing
Mass	approx. 400 g
Mounting	Mounting accessories included

Suitable series

Series TTA	AL21
------------	------

Installation instructions

