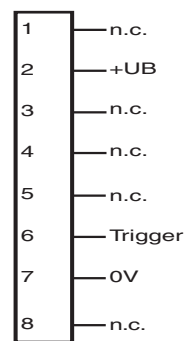
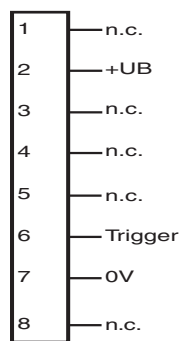


## Elektrischer Anschluss



● = dunkelschaltend, ○ = hellschaltend

## Electrical connection



● = dark on, ○ = light on

## Adressen/Addresses

**Worldwide Head Office**  
Pepperl+Fuchs GmbH  
Koenigsberger Allee 87  
68307 Mannheim  
Germany  
Telephone: +49 621 776-0  
Telefax: +49 621 776-1000  
eMail: info@de.pepperl-fuchs.com

**USA Head Office**  
Pepperl + Fuchs Inc.  
1600 Enterprise Parkway  
TWINSBURG OHIO, 44087  
USA  
Telephone +1 330 425-3555  
Telefax +1 330 425-4607  
eMail sales@us.pepperl-fuchs.com

**Asia Pacific Head Office**  
Pepperl + Fuchs PTE LTD  
P+F Building  
18 Ayer Rajah Crescent  
139942 SINGAPORE  
Singapore  
Company Registration No. 199003130E  
Telephone +65 677-99091  
Telefax +65 687-31637

<http://www.pepperl-fuchs.com>

Externe Beleuchtung  
External lighting

VOL300-FL45-RT

CE



Doc. No.: 45-2403  
DIN A3 -> DIN A7  
Part. No.: 197228  
Date: 11/08/2007

**ph PEPPERL+FUCHS**  
SENSING YOUR NEEDS

## Technische Daten

| Allgemeine Daten        |   |
|-------------------------|---|
| Lichtsender             | LED   |
| Lichtart                | Rotlicht  |
| Anzeigen/Bedienelemente |   |
| Betriebsanzeige         | LED grün: Versorgung                              |
| Elektrische Daten       |   |
| Betriebsspannung        | 24 V DC ± 10 %                                    |
| Betriebsstrom           | max. 310 mA                                       |
| Welligkeit              | ≤ 10 %  |
| Eingang                 |   |
| Triggereingang          | 10 V ... U <sub>B</sub>                           |
| Umgebungsbedingungen    |   |
| Umgebungstemperatur     | 0 ... 50 °C (273 ... 323 K)                       |
| Lagertemperatur         | -20 ... 60 °C (253 ... 333 K)                     |
| Mechanische Daten       |   |
| Schutzart               | IP65  |
| Anschluss               | 2 x M12-Stecker, 8-polig                          |
| Material                |   |
| Gehäuse                 | Kunststoff  |
| Lichtaustritt           | Kunststoffscheibe                                 |
| Montage                 | mit Klemmkörper für Sensoren mit Schwalbenschwanz |
| Masse                   | ca. 60 g  |

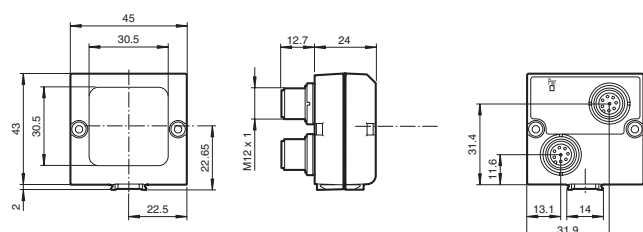
## Technical data

| General specifications     |  |
|----------------------------|--|
| Light source               | LED  |
| Light type                 | Red light                                      |
| Indicators/operating means |  |
| Operating display          | Green LED: supply                              |
| Electrical specifications  |  |
| Operating voltage          | 24 V DC ± 10 %                                 |
| Operating current          | max. 310 mA                                    |
| Ripple                     | ≤ 10 %   |
| Input                      |  |
| Trigger input              | 10 V ... U <sub>B</sub>                        |
| Ambient conditions         |  |
| Ambient temperature        | 0 ... 50 °C (273 ... 323 K)                    |
| Storage temperature        | -20 ... 60 °C (253 ... 333 K)                  |
| Mechanical specifications  |  |
| Protection degree          | IP65   |
| Connection                 | 2 x M12 connector, 8-pin                       |
| Material                   |  |
| Housing                    | plastic  |
| Optical face               | Plastic pane                                   |
| Installation               | with Fixation clamp for sensors with dove tail |
| Mass                       | approx. 60 g                                   |

## Sicherheitshinweise:

- Vor der Inbetriebnahme Betriebsanleitung lesen
- Anschluss, Montage und Einstellung nur durch Fachpersonal
- Kein Sicherheitsbauteil gemäß EU-Maschinenrichtlinie

## Abmessungen

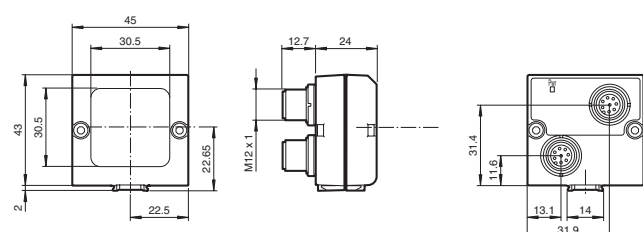


alle Maße in mm

## Security Instructions:

- Read the operating instructions before attempting commissioning
- Installation, connection and adjustments should only be undertaken by specialist personnel
- Not a safety component in accordance with the EU Machinery Directive

## Dimensions

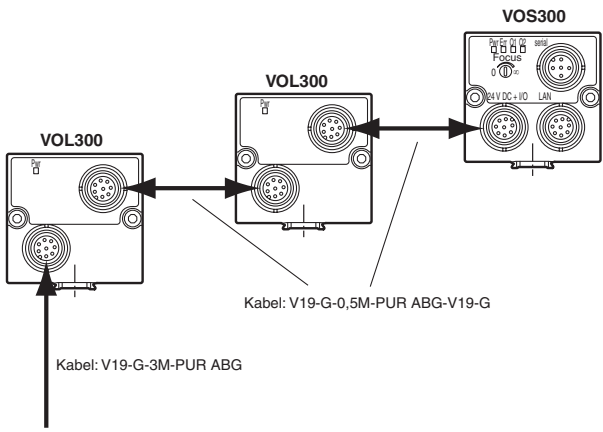


all dimensions in mm

## Beschreibung/Description

D

Anschlußmöglichkeiten für den VOS300:



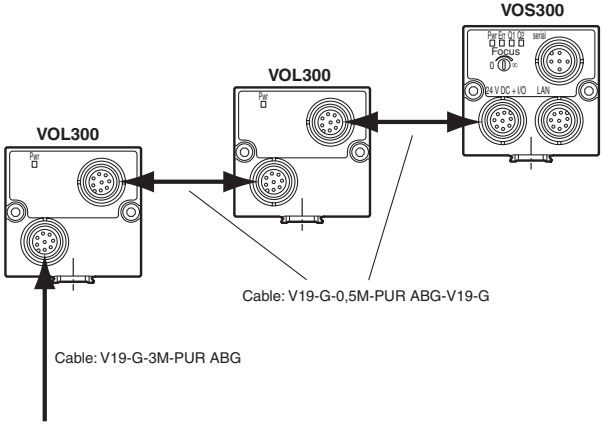
Stromversorgung + I/O-Signale

**Hinweis:**

Pins sind intern durchgeschleift.

GB

Possible connections for the VOS300:



Power supply + I/O-Signals

**Notice:**

Pins are connected through.